

ROYAL WINDOWS INC.

2026 RETAIL CATALOG

Product Reference & Manufacturer Price List

Effective May 2026

Custom Blinds & Window Treatments Since 1992

2" Custom Cordless Wood · 2" Custom Cordless Faux Wood

2" Expression Cordless Faux Wood · Budget Cordless Faux Wood

1" Cordless Aluminum · 2" Stock Cordless Faux Wood (High Profile Steel Headrail) · 1" Stock Cordless Vinyl Plus

3.5" PVC Verticals (Stock, Express, Curved) · Elegant Arch · Smart Arch

Roller Shades (Cord & Cordless) · Low Profile PVC Headrail

Contents

2" Custom Cordless Wood — Group 1	4
2" Custom Cordless Wood — Group 2	5
2" Custom Cordless Faux Wood — Group 1	6
2" Custom Cordless Faux Wood — Group 2	7
2" Expression Cordless Faux Wood	8
2" & 2½" Budget Cordless Faux Wood	9
1" Cordless Aluminum — Group 1	10
1" Cordless Aluminum — Group 2	11
2" Stock Cordless Faux Wood — High Profile Steel Headrail	12
1" Stock Cordless Vinyl Plus	16
3.5" Stock PVC Vertical	19
3.5" PVC Express Vertical	20
3.5" Curved PVC Vertical	21
Elegant Arch & Quarter Elegant Arch	22
Smart Arch	23
Redi-Shade Temporary Shade	25
Roller Shade — Green 3000 (1% & 3% Openness)	27
Roller Shade — Green 2000 (1% & 3% Openness)	29
Roller Shade — Blackout (100% UV)	31
2" Cordless Faux Wood — Low Profile PVC Headrail ★ NEW	32
Policies & Procedures	35
Warranty Information	37

About Royal Windows

Custom Blinds & Window Treatments Since 1992

Our Commitment

We are sensitive to your needs and committed to providing you with consistent quality, unmatched service, and competitive pricing. Royal Windows is also dedicated to product innovation — we were the first in the industry to develop and market Foam PVC to the entire trade.

At Royal Windows, we believe in developing strong dealer relationships by offering a diversified product mix, sales and marketing support, superior customer service, and consistent pricing. Royal Windows is committed to protecting our dealer network by not offering our products directly to the public.

Product Lines

- Custom Made, Cut Down & Stock Blind Programs
- Fauxwood, Vinyl & Aluminum Blinds
- Custom Wood Shutters, Arches & Roller Shades
- Low Profile PVC Headrail Cordless Blinds (New) · High Profile Steel Headrail Stock Blinds

Headquarters	Southeast Warehouse
606 Fountain Parkway Grand Prairie, TX 75050 sales@royalwindowsinc.com	3270 Summit Ridge Parkway, Suite 100 Duluth, GA 30096 dan@royalwindowsinc.com

Factory Allowance: + or – 1/8" on all custom products.

All prices shown are manufacturer list prices (NET). Dealer pricing may vary.

2" Custom Cordless Wood — Group 1

Smooth White Tones · Select Basswood Slat

Standard Features

- 2" Select Basswood Slat
- 3" Signature Valance
- 2" x 2¼" Steel Head Rail
- Trapezoid Bottom Rail
- Wand Tilt Left
- Valance Return Size 3½"
- Color Coordinated Cord & Ladder

Specifications

- Min. Width: 20" Net
- Min. Length: 24"
- Max. Width: 96"
- Max. Length: 96"
- Min. Return: 5/8"
- Factory Allowance: ± 1/8"

Color Availability

- W01 White
- W04 Alabaster
- W100 Pure White
- W901 Almost White

Options

- Right Wand Tilt — N/C
- Hold Downs — N/C
- Spacers — N/C
- Cut-Out — \$30 Net

■ Blinds over 72" width — NO WARRANTY

Price Chart — Width x Height (dollars)

Height	Width in Inches UP TO →												
Height	24"	30"	36"	42"	48"	54"	60"	66"	72"	78"	84"	90"	96"
30"	159	175	189	206	223	249	273	296	318	341	371	392	415
36"	170	187	202	223	240	271	298	323	345	372	405	428	456
42"	179	200	218	240	260	294	326	356	383	412	450	477	512
48"	193	215	235	258	279	317	353	384	413	446	489	518	553
54"	202	233	261	289	313	356	396	429	461	498	549	582	622
60"	218	249	277	307	333	379	422	462	497	541	592	625	671
66"	233	266	296	329	359	407	453	492	530	576	638	671	734
73"	247	282	315	350	383	437	488	533	579	636	692	735	796
78"	252	293	331	366	400	464	525	567	607	656	746	790	861
84"	270	311	350	390	426	483	538	589	637	699	783	843	904
90"	282	326	365	408	448	511	572	626	678	718	821	886	949
96"	290	340	387	433	476	540	601	656	711	735	862	930	995

2" Custom Cordless Wood — Group 2

Wood Tones & Stains · Select Basswood Slat

Standard Features

- 2" Select Basswood Slat
- 3" Signature Valance
- 2" x 2¼" Steel Head Rail
- Trapezoid Bottom Rail
- Wand Tilt Left
- Valance Return Size 3½"
- Color Coordinated Cord & Ladder

Specifications

- Min. Width: 20" Net
- Min. Length: 24"
- Max. Width: 96"
- Max. Length: 96"
- Min. Return: 5/8"
- Factory Allowance: ± 1/8"

Color Availability

- W06 Pecan
- W07 Cherry
- W08 Dark Teak
- W11 Chestnut
- W12 Light Oak
- W201 Mahogany

Options

- Right Wand Tilt — N/C
- Hold Downs — N/C
- Spacers — N/C
- Cut-Out — \$30 Net

■ Blinds over 72" width — NO WARRANTY

Price Chart — Width x Height (dollars)

Height	Width in Inches UP TO →												
Height	24"	30"	36"	42"	48"	54"	60"	66"	72"	78"	84"	90"	96"
30"	190	210	227	247	267	298	328	355	382	410	445	470	498
36"	204	225	242	267	289	326	358	389	415	446	486	515	547
42"	214	239	263	289	313	353	391	427	460	494	541	572	615
48"	232	258	282	310	335	380	423	461	496	536	587	622	664
54"	242	279	314	347	376	427	475	516	553	597	659	698	746
60"	263	298	333	368	399	455	506	554	596	649	711	750	805
66"	279	319	355	395	431	489	543	591	636	692	767	805	881
73"	296	339	378	420	460	524	586	641	694	763	831	882	956
78"	302	352	397	440	480	557	630	680	729	788	895	947	1033
84"	323	373	420	467	511	580	645	707	764	839	940	1012	1085
90"	339	391	439	490	538	613	687	751	814	862	985	1064	1139
96"	348	408	465	519	571	648	720	788	853	882	1034	1116	1195

2" Custom Cordless Faux Wood — Group 1

White Tones · Flat PVC Foam Slat

Standard Features

- 2" Flat PVC Foam Slat
- 3¼" Majestic Valance
- 2" x 2¼" Steel Head Rail
- Square Bottom Rail
- Wand Tilt Left
- Valance Return Size 3½"
- Color Coordinated Cord & Ladder

Specifications

- Min. Width: 6" Net
- Min. Length: 12"
- Max. Width: 96"
- Max. Length: 120"
- Min. Return: 5/8"
- Factory Allowance: ± 1/8"

Color Availability

- E02 White
- E03 Antique White
- E04 Alabaster
- SE02 Embossed White
- SE03 Embossed Antique White
- SE04 Embossed Alabaster

Options

- Right Wand Tilt — N/C
- Hold Downs — N/C
- Spacers — N/C
- Cut-Out — \$20 Net

Sizes 6"–20" width: Wand Tilt Only, No Lift, No Warranty. Heights 12"–23.875" & 96.125"–120": same restrictions.

■ Blind over 72" width — NO WARRANTY

Price Chart — Width x Height (dollars)

Height	Width in Inches UP TO →												
Height	24"	30"	36"	42"	48"	54"	60"	66"	72"	78"	84"	90"	96"
30"	160	177	191	208	225	251	276	299	321	345	374	395	419
36"	172	189	204	225	243	273	301	326	349	375	409	432	460
42"	180	201	220	243	263	297	329	359	387	416	455	481	517
48"	195	217	237	261	282	320	356	388	417	451	494	523	559
54"	204	235	264	292	316	359	400	434	465	502	554	587	628
60"	220	251	280	310	336	383	426	466	501	546	598	631	677
66"	235	268	299	332	363	411	457	497	535	582	644	677	741
73"	249	285	318	353	387	441	493	538	584	642	699	742	803
78"	254	296	334	370	404	469	530	572	613	663	753	797	869
84"	272	314	353	393	430	488	543	595	643	706	791	851	913
90"	285	329	369	412	453	516	578	632	685	725	829	895	958
96"	293	343	391	437	480	545	606	663	718	742	870	939	1005
102"	307	361	411	459	504	572	637	696	754	779	914	986	1055
108"	323	379	431	481	529	601	668	730	791	818	959	1035	1108
114"	339	398	453	506	556	631	702	767	831	859	1007	1087	1163
120"	356	417	475	531	584	662	737	805	872	902	1058	1142	1221

2" Custom Cordless Faux Wood — Group 2

Wood Tones · Flat PVC Foam Slat

Standard Features

- 2" Flat PVC Foam Slat
- 3¼" Majestic Valance
- 2" x 2¼" Steel Head Rail
- Square Bottom Rail
- Wand Tilt Left
- Valance Return Size 3½"
- Color Coordinated Cord & Ladder

Specifications

- Min. Width: 6" Net
- Min. Length: 12"
- Max. Width: 96"
- Max. Length: 120"
- Min. Return: 5/8"
- Factory Allowance: ± 1/8"

Color Availability

- E05 Natural
- E08 Cherry
- E09 Mahogany
- SE05 Embossed Natural
- SE08 Embossed Cherry
- SE09 Embossed Mahogany

Options

- Right Wand Tilt — N/C
- Hold Downs — N/C
- Spacers — N/C
- Cut-Out — \$20 Net

Sizes 6"–20" width: Wand Tilt Only, No Lift, No Warranty. Heights 12"–23.875" & 96.125"–120": same restrictions.

■ Blind over 72" width — NO WARRANTY

Price Chart — Width x Height (dollars)

Height	Width in Inches UP TO →												
Height	24"	30"	36"	42"	48"	54"	60"	66"	72"	78"	84"	90"	96"
30"	176	195	210	229	247	277	303	329	353	379	411	435	461
36"	189	208	224	247	267	301	331	359	384	412	451	476	506
42"	198	222	243	267	289	326	361	395	426	457	500	529	569
48"	214	240	261	287	310	352	392	427	458	496	544	575	615
54"	224	259	292	321	348	395	440	477	512	552	610	646	690
60"	243	277	307	340	370	421	469	513	551	601	657	694	745
66"	259	295	329	365	399	453	502	547	589	640	709	745	815
73"	275	314	350	388	426	485	543	593	642	707	769	816	884
78"	280	325	368	407	444	515	583	630	674	729	828	877	956
84"	300	346	388	432	474	536	597	654	708	777	870	936	1004
90"	314	361	406	454	498	568	636	695	754	797	912	984	1054
96"	322	377	430	480	528	599	667	729	790	816	957	1034	1106
102"	338	396	452	504	554	629	700	766	829	857	1005	1085	1161
108"	355	416	474	529	582	660	735	804	871	900	1055	1139	1219
114"	373	437	498	556	611	693	772	844	914	945	1108	1196	1280
120"	392	459	523	584	642	728	810	886	960	992	1163	1256	1344

2" Expression Cordless Faux Wood

Printed Wood-Grain Tones · Flat PVC Foam Slat

Standard Features

- 2" Flat PVC Foam Slat
- 3¼" Majestic Valance
- 2" x 2¼" Steel Head Rail
- Square Bottom Rail
- Wand Tilt Left
- Valance Return Size 3½"
- Color Coordinated Cord & Ladder

Specifications

- Min. Width: 20" Net
- Min. Length: 24"
- Max. Width: 96"
- Max. Length: 96"
- Min. Return: 5/8"
- Factory Allowance: ± 1/8"

Color Availability — Printed

- 253 Pecan
- 254 Oak
- 256 Chestnut
- 257 Mahogany

Options

- Right Wand Tilt — N/C
- Hold Downs — N/C
- Spacers — N/C
- Cut-Out — \$20 Net

■ **Blind over 72" width — NO WARRANTY**

Price Chart — Width x Height (dollars)

Height	Width in Inches UP TO →												
Height	24"	30"	36"	42"	48"	54"	60"	66"	72"	78"	84"	90"	96"
30"	192	212	229	249	269	301	331	358	386	413	449	475	502
36"	206	227	244	269	292	329	361	392	419	451	491	519	552
42"	216	242	265	292	316	356	394	431	464	498	546	578	621
48"	234	261	285	313	338	384	427	465	500	541	593	628	670
54"	244	282	317	350	379	431	479	520	559	603	666	705	753
60"	265	301	336	371	403	459	511	560	602	655	718	757	813
66"	282	322	358	399	435	494	548	597	642	699	774	813	889
73"	299	342	382	424	464	529	591	647	701	771	838	890	965
78"	305	355	401	444	484	562	636	687	736	795	903	956	1043
84"	326	376	424	472	516	585	651	713	772	847	949	1022	1095
90"	342	394	443	495	543	619	693	758	822	870	994	1074	1150
96"	351	412	470	524	577	654	727	795	861	890	1044	1127	1206

2" & 2½" Cordless Budget Faux Wood

Economy Line · Flat PVC Foam Slat · Max 72" Wide

Standard Features

- Flat PVC Foam Slat
- 3¼" Majestic Valance
- 2" x 2¼" Steel Head Rail
- Square Bottom Rail
- Wand Tilt Left
- 2" Valance Return: 3½" / 2½" Return: 3¾"
- Color Coordinated Cord & Ladder

Specifications

- Min. Width: 15" Net
- Min. Length: 24"
- Max. Width: 72"
- Max. Length: 96"
- Min. Return: 5/8"
- Factory Allowance: ± 1/8"

Color Availability

- BC 01 Off White (2")
- BC 02 White (2")
- BCS 01 Embossed Off White (2")
- BCS 02 Embossed White (2")
- BCF 22 White (2½")

Options

- Hold Downs — N/C
- Spacers — N/C

Price Chart — Width x Height (dollars)

Height	Width in Inches UP TO →												
Height	24"	28"	32"	36"	40"	44"	48"	52"	56"	60"	64"	68"	72"
30"	154	168	183	200	215	226	235	257	272	299	314	328	341
36"	162	178	192	216	225	238	249	270	283	318	333	350	374
42"	175	192	208	230	242	257	278	292	306	339	356	377	403
48"	187	204	217	243	253	268	289	303	324	363	381	402	432
54"	203	226	240	269	280	298	322	338	355	401	421	442	467
60"	216	233	254	287	299	318	338	360	378	428	449	472	495
66"	231	247	272	305	320	339	362	384	404	454	475	499	539
73"	243	265	286	324	337	357	386	404	427	482	505	539	566
78"	252	276	299	335	349	369	399	419	447	512	538	576	603
84"	265	289	313	351	365	387	423	438	471	536	563	603	640
90"	278	305	329	369	384	407	440	462	503	557	585	625	664
96"	289	319	343	386	401	424	469	482	538	588	616	652	698

1" Cordless Aluminum — Group 1

White & Neutral Tones · Max 108" × 108"

Standard Features

- 1" x 1" Steel Head Rail
- C-Channel Steel Bottom Rail
- 1" x 0.006 Aluminum Slat
- Clear PVC Wand
- Wand Tilt Left

Specifications

- Min. Width: 13" Net
- Min. Length: 24"
- Max. Width: 108"
- Max. Length: 108"
- Factory Allowance: ± 1/8"
- Note: Width > 72" max length = 96"

Color Availability

- 205 White Satin
- 100 Vanilla
- 112 Alabaster
- 386 Snowcap White

Options

- Right Wand Tilt — N/C
- Hold Downs — N/C
- Spacers — N/C
- Cut-Out — \$20 Net

■ **Width over 72" — Max Length 96"**

Price Chart — Length × Width (dollars) · Rows 102"–108" available to 72" wide only

Height	Width in Inches UP TO →														
Length	24"	30"	36"	42"	48"	54"	60"	66"	72"	78"	84"	90"	96"	102"	108"
36"	226	238	248	253	266	273	289	317	354	359	377	422	451	496	546
42"	230	240	250	262	272	281	296	342	360	362	383	427	454	499	550
48"	235	246	256	267	279	286	304	349	367	372	391	436	471	518	570
54"	238	249	260	275	286	293	314	356	374	380	398	448	483	531	584
60"	241	254	266	282	292	299	320	367	386	391	411	461	498	548	603
66"	244	257	270	285	298	306	327	372	393	398	417	465	516	568	625
72"	246	263	278	292	304	314	336	374	395	400	420	472	528	581	639
78"	293	312	331	353	373	383	413	425	457	482	508	534	543	597	658
84"	297	318	338	359	377	388	419	441	465	493	519	545	569	627	689
90"	307	328	348	373	389	406	435	463	483	512	543	565	626	690	758
96"	310	333	355	378	398	410	446	473	494	523	552	622	689	759	835
102"	356	384	409	436	458	472	513	545	568	—	—	—	—	—	—
108"	410	441	471	501	526	543	589	626	653	—	—	—	—	—	—

1" Cordless Aluminum — Group 2

Accent Colors · Max 108" x 108"

Standard Features

- 1" x 1" Steel Head Rail
- C-Channel Steel Bottom Rail
- 1" x 0.006 Aluminum Slat
- Clear PVC Wand
- Wand Tilt Left

Specifications

- Min. Width: 13" Net
- Min. Length: 24"
- Max. Width: 108"
- Max. Length: 108"
- Factory Allowance: ± 1/8"
- Note: Width > 72" max length = 96"

Color Availability

- 034 Brushed Aluminum
- 026 Smokey Grey
- 062 Char Brown
- 233 Black Satin

Options

- Right Wand Tilt — N/C
- Hold Downs — N/C
- Spacers — N/C
- Cut-Out — \$20 Net

■ **Width over 72" — Max Length 96"**

Price Chart — Length x Width (dollars) · Rows 102"–108" available to 72" wide only

Height	Width in Inches UP TO →														
Length	24"	30"	36"	42"	48"	54"	60"	66"	72"	78"	84"	90"	96"	102"	108"
36"	260	273	285	292	306	314	332	364	407	413	433	486	519	571	627
42"	264	276	287	301	312	322	340	394	414	416	440	491	523	574	633
48"	271	284	295	307	321	329	349	402	422	428	449	501	541	596	656
54"	273	286	298	317	329	337	361	410	430	437	458	515	556	611	672
60"	277	293	306	323	336	344	369	422	444	449	473	530	573	630	693
66"	281	296	310	328	343	352	376	428	452	458	480	535	593	652	718
72"	284	303	320	336	349	361	386	430	454	460	483	542	607	668	735
78"	337	360	381	406	429	440	474	488	525	554	584	614	625	686	757
84"	341	365	388	413	433	447	482	507	535	567	597	626	655	722	792
90"	353	377	399	429	448	466	499	532	556	589	625	650	719	793	871
96"	356	383	409	436	458	472	513	545	568	601	635	715	792	873	960
102"	410	442	471	501	526	542	590	626	653	—	—	—	—	—	—
108"	472	507	541	575	605	625	677	719	750	—	—	—	—	—	—

2" Stock Cordless Faux Wood

High Profile Steel Headrail · Smooth White Only · Exact Sizes · Non-Returnable

Standard Features

- 2" Flat PVC Foam Slat
- 3¼" Majestic Valance
- 2" x 2¼" High Profile Steel Head Rail
- Square PVC Bottom Rail
- Left Wand Tilt Only
- Hardware Included

Specifications

- Color: CLWH Smooth White ONLY
- All Sizes Are Exact — Not Returnable
- Cut-Down Width: Add \$5.00/blind (1/4"–1" each side)
- Widths 11.5" and under: cannot cut width
- Widths 12"–15.875": cut 0.5" one side only
- Shorten Length: Add \$7.00/blind (up to 8")
- Length 24": cannot be shortened

Color Availability

- CLWH Smooth White

Available Sizes by Length

(OB) = Outside-Mount blind — includes 3.5" returns, hold-downs and spacers.

Length 24"							6 widths available	
21.75" Wand 18"	22.125" Wand 18"	23.5" Wand 18"	34.125" Wand 18"	46.125" Wand 18"	70.125" Wand 18"			
Length 36"							25 widths available	
15.875" Wand 18"	21.75" Wand 18"	22.125" Wand 18"	22.5" Wand 18"	24.5" Wand 18"	26.5" Wand 18"	27.75" Wand 18"	28" Wand 18"	
28.375" Wand 18"	29.875" Wand 18"	30.5" Wand 18"	33.5" Wand 18"	33.875" Wand 18"	34.125" Wand 18"	34.625" Wand 18"	35" Wand 18"	
35.625" Wand 18"	38.5" Wand 18"	46.125" Wand 18"	46.625" Wand 18"	58.625" Wand 18"	62.5" Wand 18"	70.125" Wand 18"	70.5" Wand 18"	
71.5" Wand 18"								
Length 43"							7 widths available	
22.5" Wand 24"	24" (OB) Wand 24"	28.375" Wand 24"	34.125" Wand 24"	46.125" Wand 24"	58.125" Wand 24"	70.125" Wand 24"		

Length 48" 40 widths available

15.875" Wand 18"	16.5" Wand 18"	21.75" Wand 18"	22.125" Wand 24"	22.5" Wand 24"	24.5" Wand 24"	25.5" Wand 24"	26.5" Wand 24"
27.75" Wand 24"	28" Wand 24"	28.375" Wand 24"	29.875" Wand 24"	30.5" Wand 24"	30.75" Wand 24"	32.5" Wand 24"	33.5" Wand 24"
33.875" Wand 24"	34.125" Wand 24"	34.625" Wand 24"	35" Wand 24"	35.625" Wand 24"	38.5" Wand 24"	40.125" Wand 24"	41.5" Wand 24"
42.5" Wand 24"	44.5" Wand 24"	45.75" Wand 24"	46.125" Wand 24"	46.625" Wand 24"	47.5" Wand 24"	57.75" Wand 24"	58.125" Wand 24"
58.625" Wand 24"	59.5" Wand 24"	62.5" Wand 24"	68.5" Wand 24"	69.75" Wand 24"	70.125" Wand 24"	70.5" Wand 24"	71.5" Wand 24"

Length 54" 11 widths available

22.5" Wand 24"	26.5" Wand 24"	28.375" Wand 29"	30.75" Wand 29"	32.5" Wand 29"	34.125" Wand 29"	34.625" Wand 29"	35.625" Wand 29"
38.5" Wand 29"	42.5" Wand 29"	70.5" Wand 29"					

Length 60" 64 widths available

15.875" Wand 18"	16.25" Wand 18"	16.5" Wand 18"	18.5" Wand 18"	21.75" Wand 18"	22.125" Wand 24"	22.5" Wand 24"	22.875" Wand 24"
23.5" Wand 24"	24" Wand 24"	24.5" Wand 24"	25.5" Wand 24"	26.5" Wand 29"	27.75" Wand 29"	28" Wand 29"	28.375" Wand 29"
29.875" Wand 29"	30.5" Wand 29"	30.75" Wand 29"	31.5" Wand 29"	32.5" Wand 29"	33" Wand 29"	33.5" Wand 29"	33.875" Wand 29"
34.125" Wand 29"	34.375" Wand 29"	34.625" Wand 29"	35" Wand 29"	35.625" Wand 29"	36.5" Wand 29"	37.5" Wand 29"	38" Wand 29"
38.5" Wand 29"	40.125" Wand 29"	40.5" Wand 29"	41.5" Wand 29"	42.125" Wand 29"	42.5" Wand 29"	44.5" Wand 29"	45.5" Wand 29"
45.75" Wand 29"	46.125" Wand 29"	46.625" Wand 29"	47.5" Wand 29"	49.5" Wand 29"	51.75" Wand 29"	52.5" Wand 29"	53.5" Wand 29"
55.5" Wand 29"	57.75" Wand 29"	58.125" Wand 29"	58.625" Wand 29"	59.5" Wand 29"	61.5" Wand 29"	62.5" Wand 29"	64.5" Wand 29"
66.5" Wand 29"	68.5" Wand 29"	69.25" Wand 29"	69.75" Wand 29"	70.125" Wand 29"	70.5" Wand 29"	71" Wand 29"	71.5" Wand 29"

Length 64" 20 width available

16.5" Wand 18"	22.5" Wand 24"	26.5" Wand 24"	28" Wand 29"	29.875" Wand 29"	30.5" Wand 29"	31.5" Wand 29"	32.5" Wand 29"
33.5" Wand 29"	34.125" Wand 29"	34.625" Wand 29"	35.625" Wand 29"	36.5" Wand 29"	38.5" Wand 29"	42.5" Wand 29"	46.625" Wand 29"
47.5" Wand 29"	51.75" Wand 29"	53.5" Wand 29"	70.125" Wand 29"				

Length 68" 1 width available

24" (OB) Wand 24"							
-----------------------------	--	--	--	--	--	--	--

Length 72" 69 widths available

10" Wand 12"	10.5" Wand 12"	11.5" Wand 12"	13" Wand 12"	15.875" Wand 18"	16.25" Wand 18"	16.5" Wand 18"	18.5" Wand 18"
21.75" Wand 18"	22.125" Wand 24"	22.5" Wand 24"	22.875" Wand 24"	23.5" Wand 24"	24" (OB) Wand 24"	24.5" (OB) Wand 24"	25" (OB) Wand 24"
25.5" Wand 24"	26" Wand 24"	26.5" Wand 29"	27.75" Wand 29"	28" Wand 29"	28.375" Wand 29"	29.5" Wand 29"	29.875" Wand 29"
30.5" Wand 29"	30.75" Wand 29"	31.5" Wand 29"	33" Wand 31"	33.5" Wand 31"	33.875" Wand 31"	34.125" Wand 31"	34.375" Wand 31"
34.625" Wand 31"	35" Wand 31"	35.625" Wand 31"	36.5" Wand 31"	37.5" Wand 31"	38" Wand 31"	38.5" Wand 31"	40.125" Wand 31"
40.5" Wand 31"	41.5" Wand 31"	42.125" Wand 31"	42.5" Wand 31"	44.5" Wand 31"	45.5" Wand 31"	45.75" Wand 31"	46.125" Wand 31"
46.625" Wand 31"	47.5" Wand 31"	49.5" Wand 31"	51.75" Wand 31"	53.5" Wand 31"	55.5" Wand 31"	57.75" Wand 31"	58.125" Wand 31"
58.625" Wand 31"	59.5" Wand 31"	61.5" Wand 31"	62.5" Wand 31"	64.5" Wand 31"	66.5" Wand 31"	68.5" Wand 31"	69.25" Wand 31"
69.75" Wand 31"	70.125" Wand 31"	70.5" Wand 31"	71" Wand 31"	71.5" Wand 31"			

Length 78" 4 widths available

30.5" Wand 31"	34.125" Wand 31"	35.625" Wand 31"	46.625" Wand 31"				
--------------------------	----------------------------	----------------------------	----------------------------	--	--	--	--

Length 84" 32 widths available

10.5" Wand 12"	12" Wand 12"	14" Wand 12"	16.5" Wand 18"	22.125" Wand 24"	22.5" Wand 24"	24" (OB) Wand 24"	24.5" (OB) Wand 24"
25" (OB) Wand 24"	26.5" Wand 29"	28.375" Wand 29"	30.5" Wand 29"	31.5" Wand 29"	33.5" Wand 31"	33.875" Wand 36"	34.125" Wand 36"
34.625" Wand 36"	35" Wand 36"	35.625" Wand 36"	36.5" Wand 36"	38.5" Wand 36"	40.5" Wand 36"	42.5" Wand 36"	46.125" Wand 36"
46.625" Wand 36"	47.5" Wand 36"	58.625" Wand 36"	62.5" Wand 36"	70.125" Wand 36"	70.5" Wand 36"	71" Wand 36"	71.5" Wand 36"

Length 86" 2 widths available

24" (OB) Wand 24"	25" (OB) Wand 24"						
-----------------------------	-----------------------------	--	--	--	--	--	--

Length 96" 17 widths available

16.5" Wand 18"	22.5" Wand 24"	24.5" Wand 24"	26.5" Wand 29"	28.375" Wand 29"	30.5" Wand 29"	31.5" Wand 29"	34.125" Wand 36"
34.625" Wand 36"	35.625" Wand 36"	36.5" Wand 36"	38.5" Wand 36"	40.5" Wand 36"	42.5" Wand 36"	47.5" Wand 36"	62.5" Wand 36"
71" Wand 36"							

Complete list contains 299 specific sizes. Contact Royal Windows or visit royalwindowsinc.com.

1" Stock Cordless Vinyl Plus

Smooth White Only · Exact Sizes · Non-Returnable

Standard Features

- 1.5"(W) x 1.125"(H) x 0.5mm Contoured Steel Headrail
- 1" Room Darkening PVC Slats
- Sturdy Steel Bottomrail
- Wand Tilt Only
- Child Safe Cordless Design
- Hardware Included

Specifications

- Color: 1 CLPVW Smooth White ONLY
- All Sizes Exact — Not Returnable
- Cut-Down Width: Add \$5.00/blind
- Min. cut: 3/4" per side / Max. cut: 2-1/2" per side
- *16.5" wide: max total cut = 2-1/2"

Color Availability

- 1 CLPVW Smooth White

Available Sizes by Length

All sizes are exact — not returnable. Widths shown in inches.

Length 36"								23 widths available
21.5" Wand 18"	22" Wand 18"	22.5" Wand 18"	24.5" Wand 18"	26.5" Wand 18"	28" Wand 18"	28.5" Wand 18"	29.5" Wand 18"	
30.5" Wand 18"	33.5" Wand 18"	34" Wand 18"	34.5" Wand 18"	35.5" Wand 18"	42.5" Wand 18"	46" Wand 18"	46.5" Wand 18"	
56.5" Wand 18"	58" Wand 18"	58.5" Wand 18"	69.5" Wand 18"	70" Wand 18"	70.5" Wand 18"	71.5" Wand 18"		
Length 43"								1 width available
24" Wand 24"								
Length 48"								41 widths available
16.5" Wand 18"	18.5" Wand 18"	21.5" Wand 18"	22" Wand 18"	22.5" Wand 18"	24.5" Wand 24"	26.5" Wand 24"	27" Wand 24"	
27.5" Wand 24"	28" Wand 24"	28.5" Wand 24"	29.5" Wand 24"	30" Wand 24"	30.5" Wand 24"	31" Wand 24"	31.5" Wand 24"	
32" Wand 24"	33.5" Wand 24"	34" Wand 24"	34.5" Wand 24"	35" Wand 24"	35.5" Wand 24"	38.5" Wand 24"	40.5" Wand 24"	
42.5" Wand 24"	44.5" Wand 24"	45.5" Wand 24"	46" Wand 24"	46.5" Wand 24"	47.5" Wand 24"	56.5" Wand 24"	57.5" Wand 24"	

58" Wand 24"	58.5" Wand 24"	59" Wand 24"	59.5" Wand 24"	68.5" Wand 24"	69.5" Wand 24"	70" Wand 24"	70.5" Wand 24"
71.5" Wand 24"							

Length 60" 58 widths available

16.5" Wand 18"	21.5" Wand 18"	22" Wand 18"	22.5" Wand 18"	24" Wand 24"	25.5" Wand 24"	26.5" Wand 24"	27" Wand 24"
27.5" Wand 24"	28" Wand 29"	28.5" Wand 29"	29" Wand 29"	29.5" Wand 29"	30" Wand 31"	30.5" Wand 31"	31" Wand 31"
31.5" Wand 31"	32" Wand 31"	32.5" Wand 31"	33.5" Wand 31"	34" Wand 31"	34.5" Wand 31"	35" Wand 31"	35.5" Wand 31"
36.5" Wand 31"	37.5" Wand 31"	38.5" Wand 31"	39.5" Wand 31"	40" Wand 31"	40.5" Wand 31"	41" Wand 31"	41.5" Wand 31"
42.5" Wand 31"	44.5" Wand 31"	45.5" Wand 31"	46" Wand 31"	46.5" Wand 31"	47.5" Wand 31"	51.5" Wand 31"	52" Wand 31"
53.5" Wand 31"	54.5" Wand 31"	56.5" Wand 31"	57.5" Wand 31"	58" Wand 31"	58.5" Wand 31"	59" Wand 31"	61.5" Wand 31"
62.5" Wand 31"	64.5" Wand 31"	66" Wand 31"	67" Wand 31"	68.5" Wand 31"	69" Wand 31"	69.5" Wand 31"	70" Wand 31"
70.5" Wand 31"	71.5" Wand 31"						

Length 64" 27 widths available

22.5" Wand 18"	25.5" Wand 24"	26.5" Wand 24"	27.5" Wand 24"	28.5" Wand 29"	29.5" Wand 29"	30" Wand 31"	30.5" Wand 31"
31.5" Wand 31"	32" Wand 31"	32.5" Wand 31"	33.5" Wand 31"	34.5" Wand 31"	35.5" Wand 31"	37.5" Wand 31"	38.5" Wand 31"
39.5" Wand 31"	40.5" Wand 31"	42.5" Wand 31"	45.5" Wand 31"	46.5" Wand 31"	47.5" Wand 31"	51.5" Wand 31"	57.5" Wand 31"
69.5" Wand 31"	70" Wand 31"	71.5" Wand 31"					

Length 72" 62 widths available

16.5" Wand 18"	17.5" Wand 18"	18.5" Wand 18"	21.5" Wand 18"	22" Wand 18"	22.5" Wand 18"	23" Wand 24"	23.5" Wand 24"
--------------------------	--------------------------	--------------------------	--------------------------	------------------------	--------------------------	------------------------	--------------------------

24" Wand 24"	24.5" Wand 24"	25.5" Wand 24"	26" Wand 24"	26.5" Wand 24"	27.5" Wand 24"	28" Wand 29"	28.5" Wand 29"
29" Wand 29"	29.5" Wand 29"	30" Wand 31"	30.5" Wand 31"	31" Wand 31"	31.5" Wand 31"	32" Wand 31"	32.5" Wand 31"
33.5" Wand 31"	34" Wand 31"	34.5" Wand 31"	35" Wand 31"	35.5" Wand 36"	36.5" Wand 36"	37.5" Wand 36"	38.5" Wand 36"
39.5" Wand 36"	40" Wand 36"	40.5" Wand 36"	41" Wand 36"	41.5" Wand 36"	42.5" Wand 36"	44.5" Wand 36"	45.5" Wand 36"
46" Wand 36"	46.5" Wand 36"	47.5" Wand 36"	51.5" Wand 36"	52.5" Wand 36"	53" Wand 36"	53.5" Wand 36"	54.5" Wand 36"
57.5" Wand 36"	58" Wand 36"	58.5" Wand 36"	61.5" Wand 36"	62" Wand 36"	62.5" Wand 36"	63.5" Wand 36"	64.5" Wand 36"
68.5" Wand 36"	69" Wand 36"	69.5" Wand 36"	70" Wand 36"	70.5" Wand 36"	71.5" Wand 36"		

Length 84" 38 widths available

16.5" Wand 18"	17.5" Wand 18"	21.5" Wand 18"	22.5" Wand 18"	23.5" Wand 24"	24" Wand 24"	24.5" Wand 24"	25" Wand 24"
25.5" Wand 24"	26.5" Wand 24"	27" Wand 24"	27.5" Wand 24"	28.5" Wand 29"	29.5" Wand 29"	30.5" Wand 31"	31.5" Wand 31"
32.5" Wand 31"	33.5" Wand 31"	34" Wand 31"	34.5" Wand 31"	35" Wand 36"	35.5" Wand 36"	36.5" Wand 36"	37.5" Wand 36"
38.5" Wand 36"	40.5" Wand 36"	42.5" Wand 36"	44.5" Wand 36"	46" Wand 36"	46.5" Wand 36"	47.5" Wand 36"	53.5" Wand 36"
56.5" Wand 36"	58.5" Wand 36"	59.5" Wand 36"	70" Wand 36"	70.5" Wand 36"	71.5" Wand 36"		

Length 96" 21 widths available

16.5" Wand 18"	18.5" Wand 18"	22.5" Wand 18"	24.5" Wand 24"	26.5" Wand 24"	27" Wand 24"	28.5" Wand 29"	30.5" Wand 31"
31.5" Wand 31"	32.5" Wand 31"	34" Wand 31"	34.5" Wand 31"	35.5" Wand 36"	37.5" Wand 36"	38.5" Wand 36"	40.5" Wand 36"
42.5" Wand 36"	46" Wand 36"	47.5" Wand 36"	70" Wand 36"	71.5" Wand 36"			

Complete list contains 270 specific sizes. Contact Royal Windows or visit royalwindowsinc.com.

3.5" Stock PVC Vertical

Smooth White · Exact Sizes · One-Way Draw

Standard Features

- Steel Head Rail
- Wand Control
- Channel Panel Valance
- Non-Leaded PVC Vanes
- One Way Draw — Left or Right
- Individual Package
- Hardware Included
- Return Size 5"

Specifications

- Color: SVWHT Smooth White ONLY
- All Sizes Are Exact (Width x Height)
- Not Returnable
- Drop 48"–84": 30" Wand
- Drop over 84": 36" Wand
- Limited 1 Year Warranty
- Actual Freight Applied If Shipped

Color Availability

- SVWHT Smooth White

Available Stock Sizes (Width" x Height" — Wand)

Width" x Height" / Wand	Width" x Height" / Wand	Width" x Height" / Wand	Width" x Height" / Wand
35" x 48" Wand: 30"	47" x 48" Wand: 30"	59" x 48" Wand: 30"	71" x 48" Wand: 30"
34" x 58" Wand: 30"	35" x 60" Wand: 30"	43" x 60" Wand: 30"	47" x 60" Wand: 30"
59" x 60" Wand: 30"	63" x 60" Wand: 30"	71" x 60" Wand: 30"	72" x 60" Wand: 30"
78" x 60" Wand: 30"	34" x 72" Wand: 30"	47" x 72" Wand: 30"	54" x 84" Wand: 30"
66" x 84" Wand: 30"	71" x 84" Wand: 30"	78" x 84" Wand: 30"	85" x 84" Wand: 30"
102" x 84" Wand: 30"	104" x 84" Wand: 30"	110" x 84" Wand: 30"	114" x 84" Wand: 30"
116" x 84" Wand: 30"	78" x 96" Wand: 36"	102" x 96" Wand: 36"	78" x 100" Wand: 36"
104" x 100" Wand: 36"			

Note: Orange wand label = 36" wand (drop over 84"). Teal wand label = 30" wand (drop 48"–84").

3.5" PVC Express Vertical

Custom Made · CV-88 Smooth White · Up to 192" Long

Standard Features

- Steel Head Rail
- Wand Control
- Non-Leaded PVC Vanes
- One Way Draw — Left or Right
- Hardware Included
- Valance Return Size 5"
- Channel Panel Valance

Specifications

- Min. Width: 18" Net
- Min. Length: 12"
- Max. Width: 114"
- Max. Length: 192"
- Drop 48"–84": 30" Wand / Drop >84": 36" Wand
- Inside Mount: Deduct ½" W & L, ¼" Valance
- Outside Mount: No deduction, Add 1" Valance W

Color Availability

- CV-88 Smooth White

Options

- Limited 1 Year Warranty
- Actual Freight Applied If Shipped

Price Chart — Height x Width (dollars)

Height	Width in Inches UP TO →								
Height	24"	36"	48"	60"	72"	84"	96"	108"	114"
36"	38	43	48	62	72	86	94	108	132
48"	41	46	53	67	79	94	103	120	142
60"	43	50	58	72	86	101	113	132	151
72"	46	53	62	79	94	110	125	144	166
84"	48	58	67	86	101	120	134	154	178
96"	50	60	72	91	108	130	144	166	192
120"	53	70	83	103	118	149	163	187	218
144"	55	79	94	115	139	166	182	211	245
168"	58	86	103	130	154	182	202	235	271
192"	60	94	113	142	168	199	223	257	298

Channel Valance Surcharge

24"	36"	48"	60"	72"	84"	96"	108"	114"
\$6.00	\$6.50	\$7.50	\$8.00	\$8.50	\$9.00	\$9.50	\$10.50	\$11.00

3.5" Curved PVC Vertical

Custom Made · Self-Aligning Scissor Linkage · Up to 192" Wide

Standard Features

- 2" x 1¼" Aluminum Head Rail
- Baked Enamel Ivory Finish
- Self-Aligning Scissor Linkage System
- Up to 84" wide: Wand Tilt
- 84"–192" wide: Nylon Pull Cord & Bead Chain w/ Tension Device
- One Way Draw
- 5" Return (Outside) / 1" Return (Inside)

Specifications

- Min. Width: 8" Net
- Min. Length: 8"
- Max. Width: 192"
- Max. Length: 120"
- Inside: Deduct ¼" W, 2" L
- Outside: No deduct W, Deduct 2" L
- Actual Freight Applied If Shipped

Color Availability

- 140 Curved White
- 139 Curved Off White
- 040 Curved Ivory
- 228 Curved Light Gray

Options

- Dust Cover Valance — \$4.125/ft
- Split Draw — N/C (required over 120" wide)
- Reverse Draw — N/C
- Valance Returns — N/C

Price Chart — Height x Width (dollars)

Height	Width in Inches UP TO →															
Height	26"	39"	51"	64"	76"	85"	89"	102"	114"	126"	139"	151"	164"	176"	189"	192"
48"	95	125	152	178	207	225	233	263	292	326	356	384	416	447	476	482
60"	102	132	163	192	223	242	251	284	315	351	383	415	450	482	514	522
72"	108	143	173	205	238	262	270	304	338	377	411	447	483	517	554	561
84"	113	151	183	217	253	277	286	324	361	403	440	477	516	554	592	601
96"	124	159	193	230	269	292	305	345	383	428	468	508	550	590	630	640
108"	128	167	205	242	284	312	323	365	407	455	495	539	583	626	668	678
120"	141	173	214	256	300	333	341	388	429	480	524	569	616	662	707	718

Elegant Arch & Quarter Elegant Arch

Moveable 2" Wood Louvers · Exclusive 1 3/4" PVC Molding

Standard Features

- Moveable 2" Wood Louvers
- Exclusive 1 3/4" PVC Molding
- No Bottom Trim

Specifications

- Elegant Arch: Min. 18"W x 9"H / Max. 72"W x 36"H
- Quarter Elegant Arch: Min. 18"W x 18"H / Max. 36"W x 36"H
- Template required if height differs from half-width by more than 1"
- Orders via website or email/fax only — no phone orders

Color Availability

- W04 Alabaster
- W100 Pure White
- W901 Almost White

Options

- Customized Trim 3/4"–1 3/4" — N/C
- Bottom Trim 3/4"–1 3/4" — N/C
- Template Required — Add 25%

Elegant Arch — Price by Width

Width Up To	24"	30"	36"	42"	48"	54"	60"	66"	72"
Price	\$198	\$242	\$264	\$297	\$330	\$396	\$429	\$462	\$528

Quarter Elegant Arch — Price by Width

Width Up To	24"	30"	36"	42"
Price	\$242	\$319	\$352	\$385

Note: Royal Windows cannot guarantee frames will align when attaching two Quarter Arches to form a full arch.

Smart Arch

Perfect Half Circle · 2" Wood Louvers · 1 3/4" PVC Molding

Standard Features

- Moveable 2" Wood Louvers
- Exclusive 1 3/4" PVC Molding
- No Bottom Trim
- Perfect Half Circle

Specifications

- Available in 6 sizes: 24"–72" wide
- Orders via website or email/fax only — no phone orders
- Actual Freight Applied If Shipped

Color Availability

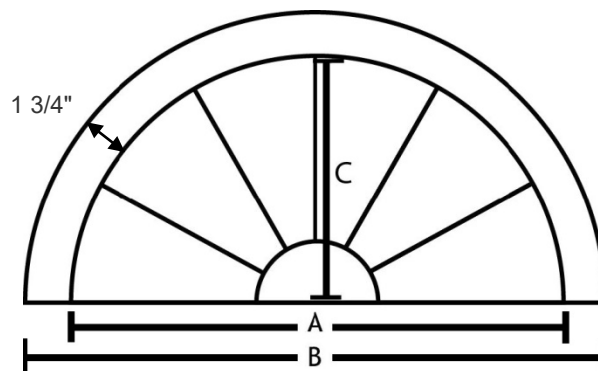
- W04 Alabaster
- W100 Pure White
- W901 Almost White

Size Specifications

Width	Dim. A	Dim. B	Dim. C	Covers Openings
24"	22"	25-1/2"	11"	22-5/8" to 25"
30"	28"	31-1/2"	14"	28-5/8" to 31"
36"	34"	37-1/2"	17"	34-5/8" to 37"
42"	40"	43-1/2"	20"	40-5/8" to 43"
48"	46"	49-1/2"	23"	46-5/8" to 49"
54"	52"	55-1/2"	26"	52-5/8" to 55"
60"	58"	61-1/2"	29"	58-5/8" to 61"
66"	64"	67-1/2"	32"	64-5/8" to 67"
72"	70"	73-1/2"	35"	70-5/8" to 73"

Price by Width

Width Up To	24"	30"	36"	42"	48"	54"	60"	66"	72"
Price	\$132	\$165	\$198	\$231	\$264	\$297	\$330	\$363	\$396

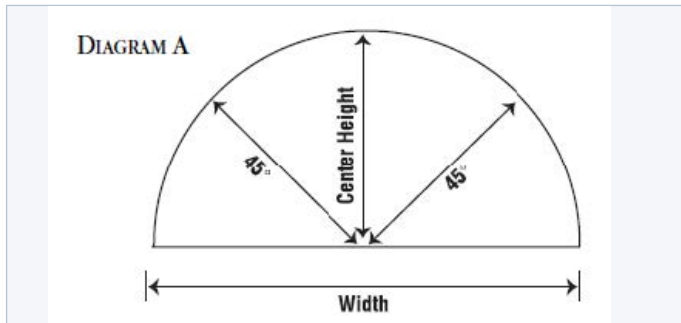


How to Measure an Arch

Measurement Guide for Elegant Arch, Quarter Arch & Smart Arch

Arches and Eyebrows are made so they can be fitted into almost any window. This is possible by the exclusive molding that frames these products and also by accurate measuring. Follow these simple instructions to ensure a perfect fit.

DIAGRAM A — Full Arch



Step 1

Measure the base width of the arch opening from left frame to right frame.

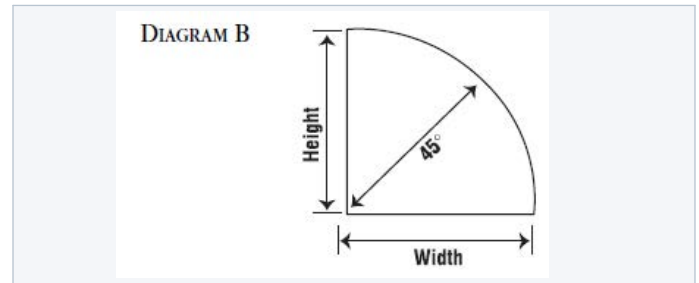
Step 2

Measure the height at three points: left side, center (highest point), and right side. See Diagram A.

Step 3

Supply the SMALLEST of the three height measurements when ordering.

DIAGRAM B — Quarter Arch



Step 1

Measure the base width of the quarter arch opening.

Step 2

Measure the height and the 45-degree angle diagonal. See Diagram B.

Step 3

Supply the SMALLEST of the three measurements for both the width and height.

When Is a Template Required?

Product	Template Required When...	Example
Elegant Arch	Height differs from half of the width by more than 1"	36" Width with 17" Height (half = 18", diff = 1")
Quarter Elegant Arch	Height differs from half of the width by more than 1"	36" Width with 35" Height (half = 18", diff >1")

If a template is required, add 25% to the price. Orders can be placed via royalwindowsinc.com or by email/fax with completed order form. Phone orders cannot be accepted.

Redi-Shade® Temporary Shade

High-Quality White Paper · Peel & Stick · Cordless

Redi-Shade® Original Temporary Shade is made of high-quality white paper that gently allows light to filter through. Completely recyclable and cordless — safe for homes with children and pets.

Size	Per Box (6 shades)	Per Case (6 boxes)
36" x 72"	\$43.20	\$259.20
48" x 72"	\$46.80	\$280.80

Installation Tips

- Measure the inside width of your window frame — trim shade to fit.
- For arch windows: measure midpoint of arch base; peel tape, stick to left side, open fan-style and tape right side and top center.
- Length may also be trimmed with scissors if needed.

Roller Shade

Continuous Cord Loop & Cordless Options · 5-Year Fabric Warranty

Fabric Collections

Collection	Openness	UV Blockage	Construction	Available Colors
Green 3000 – 1%	~1%	~99%	25% Polyester / 75% Vinyl on Polyester	Oyster, Beige, Grey, Chestnut, Charcoal
Green 3000 – 3%	~3%	~97%	25% Polyester / 75% Vinyl on Polyester	White, Alabaster, Silver, Cocoa, Black
Green 2000 – 1%	~1%	~99%	25% Polyester / 75% Vinyl on Polyester	Chalk, Alabaster, Grey, Tobacco, Black
Green 2000 – 3%	~3%	~97%	25% Polyester / 75% Vinyl on Polyester	Chalk, Alabaster, Grey, Tobacco, Black
Blackout	0%	100%	100% Polyester / 100% PVC Free	Sunrise White, Black, Dark Grey + Special Order

System Specifications

Continuous Cord Loop

- Metal Beaded Chain
- Sealed Hem or Exposed Metal Bottom Rail
- Exposed Metal Rail Only for Blackout
- Color Coordinated Hardware
- Child Safe Chain Tensioner
- Min: 12"W x 12"L / Max: 144"W x 144"L

Cordless Option — No Charge

- Spring Assist Clutch
- Exposed Metal Bottom Rail Only
- Open Roll Not Available
- Min: 15"W x 24"L / Max: 96"W x 108"L
- Available on all Green fabric types
- Not available on Blackout

Fascia Option

- 3" or 4" Square Fascia
- Colors: White, Alabaster, Silver, Bronze, Black
- See price surcharge chart on each fabric page

Railroad Fabric — N/C

- Available for Continuous Cord Loop only

Roller Shade — Green 3000 / 1% Openness

~1% Openness · ~99% UV Blockage · 25% Polyester / 75% Vinyl on Polyester

Specifications

- Openness: as labeled
- Fabric front & back as described
- Continuous Cord Loop included
- Cordless available at no charge
- Sizes in shaded area use 2" Tube
- Standard Roller or 4" Fascia Only for shaded sizes

Color Availability

- Oyster
- Beige
- Grey
- Chestnut
- Charcoal

Price Chart — Length x Width (dollars)

Height /	Width in Inches UP TO →										
Length	24"	36"	48"	60"	72"	84"	96"	108"	120"	132"	144"
36"	178	222	268	311	364	436	498	555	606	816	893
48"	200	251	307	372	436	522	585	659	716	924	1005
60"	224	284	355	429	507	598	674	755	810	1017	1111
72"	246	321	406	491	575	671	747	827	902	1116	1218
84"	269	359	454	553	635	736	824	912	996	1221	1327
96"	292	395	502	607	692	803	896	989	1083	1329	1435
108"	319	439	553	654	749	870	970	1076	1174	1426	1543
120"	347	475	597	701	805	933	1039	1156	1260	1515	1647
132"	373	519	636	749	861	997	1116	1241	1354	1606	1757
144"	402	553	677	800	921	1059	1186	1321	1438	1723	1859

Fascia Option Price Surcharge

Width	24"	36"	48"	60"	72"	84"	96"	108"	120"	132"	144"
3" or 4"	\$72	\$87	\$104	\$125	\$141	\$157	\$175	\$191	\$217	\$233	\$247

Roller Shade — Green 3000 / 3% Openness

~3% Openness · ~97% UV Blockage · 25% Polyester / 75% Vinyl on Polyester

Specifications

- Openness: as labeled
- Fabric front & back as described
- Continuous Cord Loop included
- Cordless available at no charge
- Sizes in shaded area use 2" Tube
- Standard Roller or 4" Fascia Only for shaded sizes

Color Availability

- White
- Alabaster
- Silver
- Cocoa
- Black

Price Chart — Length x Width (dollars)

Height /	Width in Inches UP TO →										
Length	24"	36"	48"	60"	72"	84"	96"	108"	120"	132"	144"
36"	153	186	217	251	289	350	400	447	488	676	741
48"	169	208	246	294	341	411	469	523	566	755	815
60"	187	230	283	340	396	473	531	583	625	819	889
72"	201	257	319	387	448	524	580	639	689	887	962
84"	219	287	359	432	492	565	631	693	750	952	1034
96"	237	316	395	470	528	614	679	750	809	1019	1106
108"	258	346	432	502	571	656	730	805	870	1087	1178
120"	280	375	465	538	610	702	778	860	932	1152	1248
132"	302	405	496	571	648	746	830	914	992	1221	1321
144"	323	435	519	603	685	789	880	969	1055	1283	1392

Fascia Option Price Surcharge

Width	24"	36"	48"	60"	72"	84"	96"	108"	120"	132"	144"
3" or 4"	\$72	\$87	\$104	\$125	\$141	\$157	\$175	\$191	\$217	\$233	\$247

Roller Shade — Green 2000 / 1% Openness

~1% Openness · ~99% UV Blockage · Same Construction as Green 3000

Specifications

- Openness: as labeled
- Fabric front & back as described
- Continuous Cord Loop included
- Cordless available at no charge
- Sizes in shaded area use 2" Tube
- Standard Roller or 4" Fascia Only for shaded sizes

Color Availability

- Chalk
- Alabaster
- Grey
- Tobacco
- Black

Price Chart — Length × Width (dollars)

Height /	Width in Inches UP TO →										
Length	24"	36"	48"	60"	72"	84"	96"	108"	120"	132"	144"
36"	178	222	268	311	364	436	498	555	606	816	893
48"	200	251	307	372	436	522	585	659	716	924	1005
60"	224	284	355	429	507	598	674	755	810	1017	1111
72"	246	321	406	491	575	671	747	827	902	1116	1218
84"	269	359	454	553	635	736	824	912	996	1221	1327
96"	292	395	502	607	692	803	896	989	1083	1329	1435
108"	319	439	553	654	749	870	970	1076	1174	1426	1543
120"	347	475	597	701	805	933	1039	1156	1260	1515	1647
132"	373	519	636	749	861	997	1116	1241	1354	1606	1757
144"	402	553	677	800	921	1059	1186	1321	1438	1723	1859

Fascia Option Price Surcharge

Width	24"	36"	48"	60"	72"	84"	96"	108"	120"	132"	144"
3" or 4"	\$72	\$87	\$104	\$125	\$141	\$157	\$175	\$191	\$217	\$233	\$247

Roller Shade — Green 2000 / 3% Openness

~3% Openness · ~97% UV Blockage · Same Construction as Green 3000

Specifications

- Openness: as labeled
- Fabric front & back as described
- Continuous Cord Loop included
- Cordless available at no charge
- Sizes in shaded area use 2" Tube
- Standard Roller or 4" Fascia Only for shaded sizes

Color Availability

- Chalk
- Alabaster
- Grey
- Tobacco
- Black

Price Chart — Length x Width (dollars)

Height /	Width in Inches UP TO →										
Length	24"	36"	48"	60"	72"	84"	96"	108"	120"	132"	144"
36"	153	186	217	251	289	350	400	447	488	676	741
48"	169	208	246	294	341	411	469	523	566	755	815
60"	187	230	283	340	396	473	531	583	625	819	889
72"	201	257	319	387	448	524	580	639	689	887	962
84"	219	287	359	432	492	565	631	693	750	952	1034
96"	237	316	395	470	528	614	679	750	809	1019	1106
108"	258	346	432	502	571	656	730	805	870	1087	1178
120"	280	375	465	538	610	702	778	860	932	1152	1248
132"	302	405	496	571	648	746	830	914	992	1221	1321
144"	323	435	519	603	685	789	880	969	1055	1283	1392

Fascia Option Price Surcharge

Width	24"	36"	48"	60"	72"	84"	96"	108"	120"	132"	144"
3" or 4"	\$72	\$87	\$104	\$125	\$141	\$157	\$175	\$191	\$217	\$233	\$247

Roller Shade — Blackout

100% UV Blockage · 100% Polyester · 100% PVC Free · Max Width 96"

Specifications

- Openness: as labeled
- Fabric front & back as described
- Continuous Cord Loop included
- Cordless available at no charge
- Sizes in shaded area use 2" Tube
- Standard Roller or 4" Fascia Only for shaded sizes

Color Availability

- Sunrise White
- Sunrise Black
- Sunrise Dark Grey
- Special Order: Sunrise Ivory, Barley, Chalk

■ **Blackout cordless not available. Max width 96" for full pricing range.**

Price Chart — Length x Width (dollars)

Height /	Width in Inches UP TO →										
Length	24"	36"	48"	60"	72"	84"	96"	108"	120"	132"	144"
36"	153	186	217	251	289	350	400	447	488	676	741
48"	169	208	246	294	341	411	469	523	566	755	815
60"	187	230	283	340	396	473	531	583	625	819	889
72"	201	257	319	387	448	524	580	639	689	887	962
84"	219	287	359	432	492	565	631	693	750	952	1034
96"	237	316	395	470	528	614	679	750	809	1019	1106
108"	258	346	432	502	571	656	730	—	—	—	—
120"	280	375	465	538	610	702	778	—	—	—	—
132"	302	405	496	571	648	746	830	—	—	—	—
144"	323	435	519	603	685	789	880	—	—	—	—

Fascia Option Price Surcharge

Width	24"	36"	48"	60"	72"	84"	96"	108"	120"	132"	144"
3" or 4"	\$72	\$87	\$104	\$125	\$141	\$157	\$175	\$191	\$217	\$233	\$247

2" Cordless Faux Wood — Low Profile PVC Headrail

NEW · Smooth White Only · 2.5" Beaded Valance · Exact Sizes

Standard Features

- Faux Wood PVC Material
- Low-Profile PVC Headrail (Cordless)
- 2.5" Beaded Valance with Hidden Clips
- Smooth White Only (color CLWH)
- All sizes exact — Non-returnable
- Holddowns & spacers included on outside-mount sizes

Specifications

- Width cut-down available (max 3" total, 1.5" per side)
- Length shortening available (up to 8")
- 24" length cannot be shortened
- Outside-mount (OB) sizes include 3.5" returns
- Factory Allowance: +/- 1/8"

Color Availability

- Smooth White Only

Available Sizes by Height

(OB) = Outside-Mount blind with 3.5" returns, holddowns and spacers included.

Height: 24"								4 sizes available	
22.125" Wand 18"	36" Wand 18"	46.625" Wand 18"	71" Wand 18"						
Height: 36"								9 sizes available	
22.125" Wand 18"	22.5" Wand 18"	27.75" Wand 18"	30.5" Wand 18"	34.125" Wand 18"	36" Wand 18"	46.625" Wand 18"	58.625" Wand 18"		
71" Wand 18"									
Height: 43"								1 size available	
24" (OB) Wand 24"									
Height: 48"								14 sizes available	
22.125" Wand 18"	22.5" Wand 18"	25.5" Wand 24"	27.75" Wand 24"	30.5" Wand 24"	34.125" Wand 24"	34.625" Wand 24"	36" Wand 24"		
41.5" Wand 24"	46.125" Wand 24"	46.625" Wand 24"	58.125" Wand 24"	61.5" Wand 24"	71" Wand 24"				

Height: 60" 26 sizes available

22.125" Wand 18"	22.5" Wand 18"	25.5" Wand 24"	27.75" Wand 29"	28.375" Wand 29"	29.875" Wand 31"	30.5" Wand 31"	33.5" Wand 31"
33.875" Wand 31"	34.125" Wand 31"	34.375" Wand 31"	34.625" Wand 31"	35" Wand 31"	36" Wand 31"	38.5" Wand 31"	40.125" Wand 31"
43" Wand 31"	46.125" Wand 31"	46.625" Wand 31"	58.125" Wand 31"	61.5" Wand 31"	64.5" Wand 31"	69.75" Wand 31"	70.125" Wand 31"
70.5" Wand 31"	71" Wand 31"						

Height: 68" 1 size available

24" (OB) Wand 24"							
-----------------------------	--	--	--	--	--	--	--

Height: 72" 33 sizes available

22.125" Wand 18"	22.5" Wand 18"	24" (OB) Wand 24"	25" (OB) Wand 24"	27.75" Wand 29"	28" Wand 29"	28.375" Wand 29"	29.5" Wand 31"
29.875" Wand 31"	30.5" Wand 31"	31.5" Wand 31"	33.5" Wand 31"	33.875" Wand 31"	34.125" Wand 31"	34.375" Wand 31"	34.625" Wand 31"
35" Wand 31"	36" Wand 31"	38.5" Wand 31"	40.125" Wand 31"	43" Wand 31"	45.75" Wand 31"	46.125" Wand 31"	46.625" Wand 31"
53.5" Wand 31"	58.125" Wand 31"	61.5" Wand 31"	62.5" Wand 31"	69.25" Wand 31"	69.75" Wand 31"	70.125" Wand 31"	70.5" Wand 31"
71" Wand 31"							

Height: 84" 16 sizes available

26.5" Wand 24"	28.375" Wand 29"	30.5" Wand 31"	33.875" Wand 31"	34.125" Wand 31"	34.625" Wand 31"	36" Wand 31"	38.5" Wand 36"
40.125" Wand 36"	43" Wand 36"	46.125" Wand 36"	46.625" Wand 36"	58.625" Wand 36"	62.5" Wand 36"	70.125" Wand 36"	71" Wand 36"

Height: 86" 2 sizes available

24" (OB) Wand 24"	25" (OB) Wand 24"						
-----------------------------	-----------------------------	--	--	--	--	--	--

Height: 96" 10 sizes available

24" Wand 24"	26.5" Wand 29"	28.375" Wand 29"	30.5" Wand 31"	34.125" Wand 31"	36" Wand 31"	38.5" Wand 36"	43" Wand 36"
46.625" Wand 36"	71" Wand 36"						

Contact Royal Windows for ordering: sales@royalwindowsinc.com | royalwindowsinc.com

Policies & Procedures

New Accounts

All new accounts will be processed upon receipt of a signed, completed account application. New accounts will be processed as PREPAID CASH ONLY pending approval of credit.

Past Due Accounts

In some cases, new orders will not be processed until a resolution has been made on the account. A 1.5% per month (18% per annum) service charge will be assessed on all past due balances.

NSF Check or Stopped Payment

A \$45.00 fee will be added to the check amount. Cashier's check, money order, or cash will be required.

Orders

We accept faxed, mail, email (orderentry@royalwindowsinc.com), and online orders. Changes to orders already placed should be faxed or emailed; otherwise, signature is required. In the case of conflicting color and product type, the color number takes precedence.

Order Confirmation

A printed confirmation will be faxed or e-mailed within 24 hours of receipt (excludes weekends and holidays).

Duplicate Orders

Royal Windows cannot be responsible for duplicated orders due to same P.O. number or double faxing. Always mark re-submissions as "CONFIRMATION ONLY." Use a unique P.O. number for each order.

Cancellations

Orders may be cancelled if NOT already in production. If production has started, a restocking fee will apply. Contact Customer Service for the cancellation number — required as proof of cancellation. Prepaid orders may be cancelled if no response within 10 business days.

Returns for Repair

Contact Customer Service for a Return Authorization Number (RGA). Products returned without an RGA number will not be processed and will be returned to the customer. Royal Windows is not responsible for damage or loss due to shipping.

Remakes

Contact Customer Service for remake requests. All decisions to remake are made solely by Royal Windows.

Return for Credit

No credit will be accepted without prior approval. All returns are conditional upon final inspection. Contact Customer Service for RGA number and return instructions.

Back Orders

You will be notified within 24 hours of receipt of your order if any items are on back order. You may then reselect a new color/product or wait.

Color Variation Between Dye Lots

Finished products can vary slightly from samples due to wood grain and dye lots. We strongly recommend ordering all blinds, shades, or shutters at the same time for the best match.

Warranty Information

Five-Year Warranty

Roller Shades

Royal Windows offers a 5-year warranty on all fabrics, fascia, and beaded cord from the date of purchase. Moving parts carry a three-year limited warranty.

Two-Year Warranty

2" Custom Cordless Wood · 2" Custom Cordless Faux Wood · 2" Expression Cordless Faux Wood · 1" Cordless Aluminum

Products will be free from defects in materials and workmanship for 2 years, provided proper installation and use in the original window.

One-Year Warranty

2" Budget Cordless FW · 2½" Budget Cordless FW · 2" Stock Cordless FW · 1" Stock Cordless Vinyl Plus · 3.5" PVC Verticals (all types) · All Arches/Eyebrows

Products will be free from defects in materials and workmanship for 1 year, provided proper installation and use in the original window.

What IS Covered

- ✓ Operating mechanisms (inner cords, ladders) and components — 1 year from purchase (minimal fees for parts)
- ✓ All internal mechanisms, components, and brackets
- ✓ Manufacturing defects and shipping damage — must be reported within 7 business days of receipt

What is NOT Covered

- ✗ Normal wear and tear: wand tilter over-tightening, cordless module mis-use
- ✗ Damage from accidents, improper cleaning chemicals, alterations, misuse
- ✗ Color variation from dye lots or sun exposure; PVC cracking in direct sunlight
- ✗ Excessive warping of wood or faux wood in high humidity
- ✗ Products ordered outside recommended specifications (oversized)
- ✗ Damage from children, pets, or insects
- ✗ Transportation, removal, re-measure, or reinstallation costs
- ✗ All Discontinued products

To Obtain Warranty Service

Contact Customer Service at customerservice@royalwindowsinc.com. Include nature of the problem, pictures of the problem and proof of purchase (invoice or order number). All returned products require prior approval and a Return Goods Authorization (RGA) number. Shipping damage must be reported within 7 days of receipt.

Royal Windows Inc. reserves the right to make the final determination on all warranty claims and will repair, replace, or issue credit at its sole option.