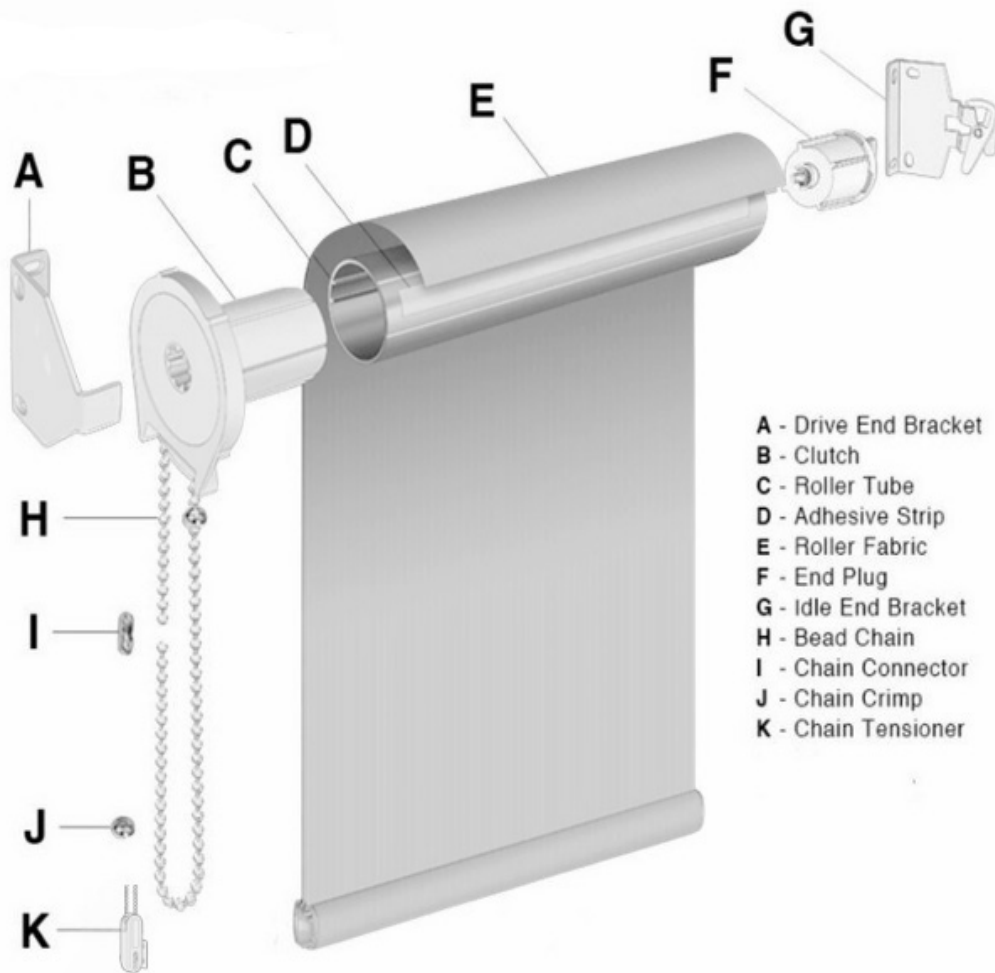


Manual Roller Shades Instructions - No Fascia

ROLLER SHADES PARTS



- A - Drive End Bracket
- B - Clutch
- C - Roller Tube
- D - Adhesive Strip
- E - Roller Fabric
- F - End Plug
- G - Idle End Bracket
- H - Bead Chain
- I - Chain Connector
- J - Chain Crimp
- K - Chain Tensioner

TOOLS THAT YOU WILL NEED



Cordless Drill



Tape Measure



Pencil

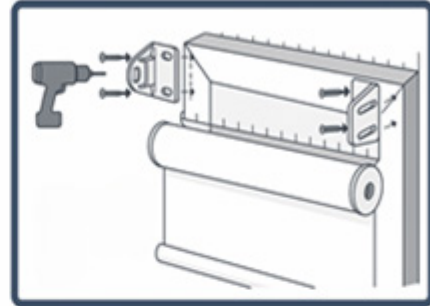


Step stool or ladder

Installation Steps

1. INSTALL THE BRACKETS

Hold the drive end bracket (A) where you would like the shade and mark holes using the pencil. Install the bracket using a screw. Slide the shade into the bracket and use the pencil to mark where you will need to mount the opposite bracket (G). Make sure that they are properly aligned so the shades will raise and lower evenly. Install the idle end bracket (G) the screws and the drills.



2. INSERT SHADE INTO THE BRACKET

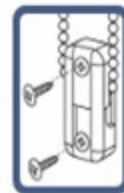
After both brackets have been installed, insert your shades into the brackets. Start by placing the pin side of the roller shade (B) into the hole of the drive end bracket (A). Then insert the other side of the roller shade (F) into the idle end bracket (G).

3. TEST THE OPERATION

Once the roller shade (E) is secured into place, test the operation of the shade or blinds with the brackets, making sure they are level.

4. INSTALL THE CHAIN TENSIONER

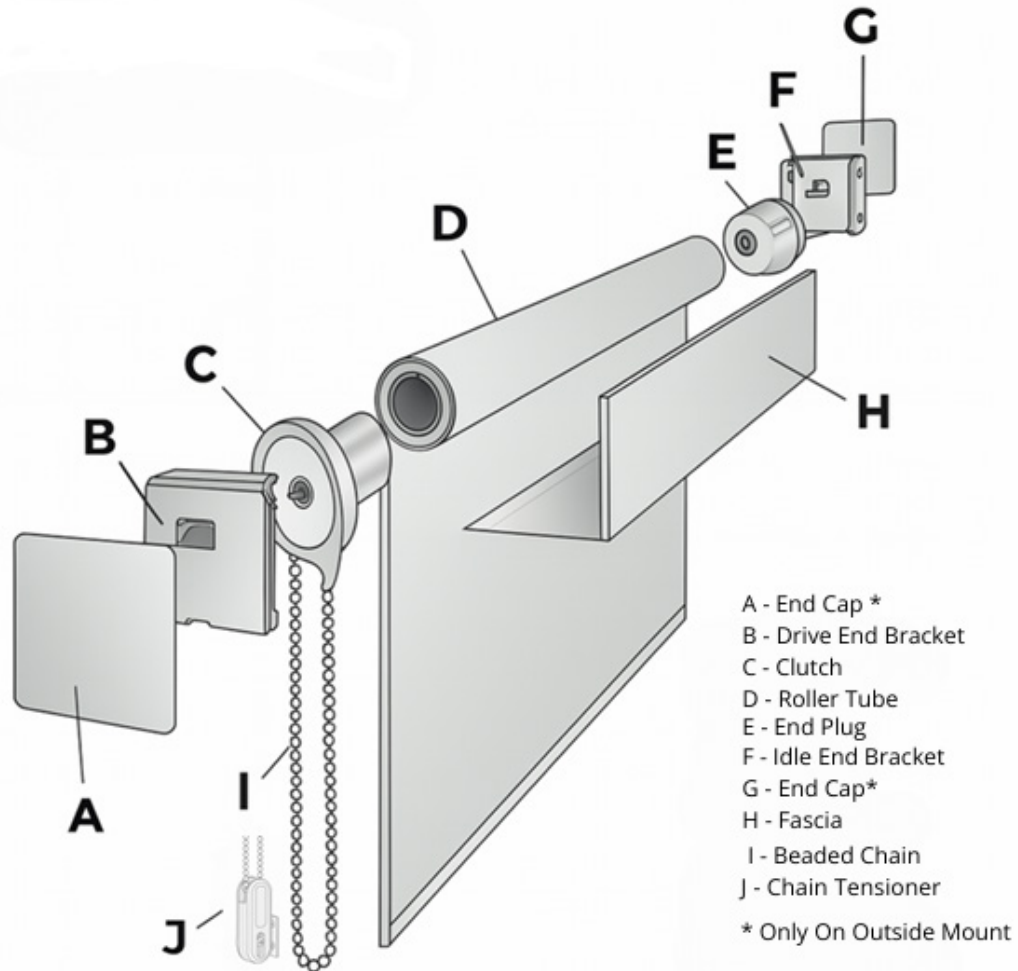
Lastly, install the chain tensioner (K) to the inside of your window frame. Loop the beaded chain (H) through the opening of the tensioner to ensure that the chain is fastened.



ENJOY YOUR NEW WINDOW TREATMENTS

Manual Roller Shades Instructions – With Fascia

ROLLER SHADES WITH VALANCE PARTS



TOOLS THAT YOU WILL NEED



Cordless Drill



Tape Measure



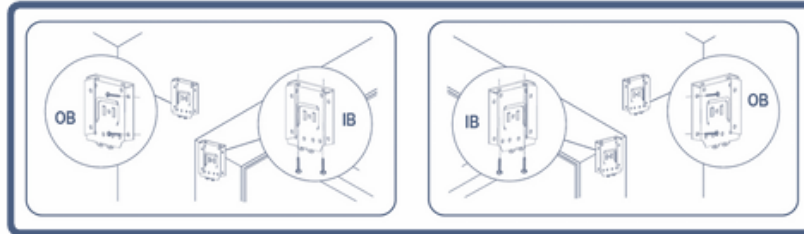
Pencil



Step stool or ladder

Installation Steps

1. INSTALL THE BRACKETS



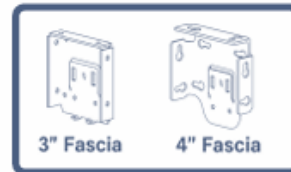
Inside Mount (IB):

Secure each bracket using two screws, either drive them in from the side or from above. Verify that every bracket sits perfectly level and in a straight line.

Outside Mount (OB):

Fasten each bracket with two screws. Confirm all brackets are level, and ensure the mounting surface is at least 1¼" tall.

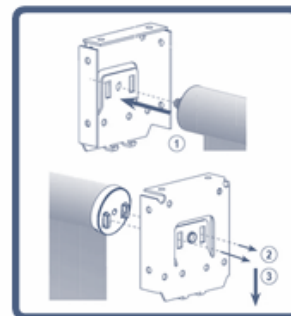
Note: Please note that the 3" fascia requires its own specific bracket, different from the one used for the 4" fascia, to ensure optimal performance.



2. INSERT SHADE INTO THE BRACKET

Important: Review the AgileLift section before beginning your AgileLift shade installation.

1. Seat the spring-loaded pin: Insert the pin end into the round opening on the bracket.
2. Engage the motor hooks: With the pin end held in place, align the two hooks on the motor head with the bracket's slots and push them straight in.
3. Lock into position: Once both hooks are through, pull the motor head gently downward until they click securely onto the bracket. The motor head should hang perfectly vertical.



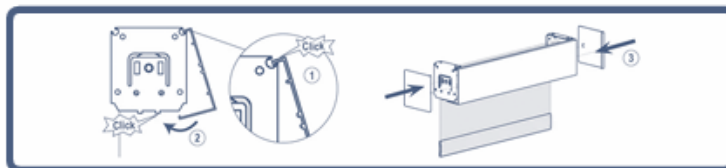
Installation Steps Cont'd.

3. TEST THE OPERATION

Once the roller shade (D) is secured into place, test the operation of the shade or blinds with the brackets, making sure they are level.

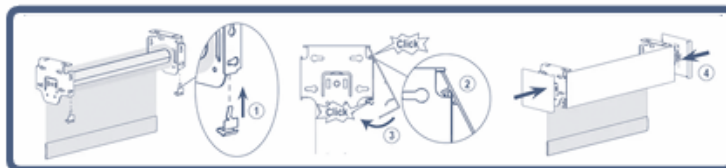
4. CLIP FASCIA ONTO ROLLER TUBE

3" Fascia



Begin by seating the fascia's top ridge into the front upper channel of each bracket, then swing the bottom forward and down until the rear lower edge snaps into place, and finish off by clipping on the bracket covers.

4" Fascia



First, secure each fascia clip onto its bracket as shown, then hook the fascia's top ridge into the front upper channel of all brackets, pivot the bottom edge forward and down until its rear lip snaps into the clip, and finish by snapping the bracket covers into place.

5. INSTALL THE CHAIN TENSIONER

Lastly, install the chain tensioner (J) to the inside of your window frame. Loop the beaded chain (I) through the opening of the tensioner to ensure that the chain is fastened.



ENJOY YOUR NEW WINDOW TREATMENTS