

ROYAL WINDOWS INC.

PRODUCT REFERENCE & MANUFACTURER PRICE LIST

CATALOG

Updates February, 2025

Discontinued Royal Arch & Eyebrow

Custom Blinds & Window Treatments Since 1992

606 Fountain Parkway
Grand Prairie, TX. 75050
Phone: 800-872-2693





Contents

2" Custom Cordless Wood – GROUP 1	4
2" Custom Cordless Wood – GROUP 2	5
2" Custom Cordless Faux Wood – GROUP 1(Updates)	6
2" Custom Cordless Faux Wood – GROUP 2 (Updates)	7
2" Expression Cordless Faux Wood	8
2" & 2 ½" Budget Cordless Faux Wood	9
1" Cordless Aluminum (Added)	10-11
2" Stock Cordless Faux Wood	12-15
1" Stock Cordless Vinyl Plus	16-18
3.5" Stock PVC Vertical	19
3.5" PVC Express Vertical	20
3.5" Curved PVC Vertical	20
Royal Arch & Quarter Royal Arch (Discontinued)	22
Elegant Arch & Quarter Elegant Arch	23
Royal Eyebrow & Quarter Royal Eyebrow (Discontinued)	24
Smart Arch	25
Roller Shade	26-31
Warranty	36

About ROYAL WINDOWS



CUSTOM & Cut-Down PROGRAMS



Royal Windows Inc manufactures and distributes a complete line of Custom Made, Cut Down and Stock Blind programs including, Fauxwood, Vinyl and Aluminum Blinds. We also specialize in Custom Wood Shutters, Arches, Eyebrows and Roller Shades



We are sensitive to your needs and committed to providing you with consistent quality, unmatched service and competitive pricing. Royal Windows is also dedicated to product innovation. We were the first in the industry to develop and market the Foam PVC to the entire trade. At Royal Windows, we believe in developing strong dealer relationships by offering a diversified product mix, sales and marketing support, superior customer service, and consistent pricing. A successful partnership requires commitment from both sides of the relationship. Royal Windows is committed to protecting our dealer network, by not offering our products directly to the public. We stand behind our dealers, as well as our products. Let Royal Windows be your window to success.

2" CUSTOM CORDLESS WOOD-GROUP 1

Standard Features

- 2" Select Basswood Slat
- 3 1/4" Signature Valance
- 2" x 2 1/4" Steel Head Rail
- Trapezoid Bottom Rail
- Wand Tilt Left
- Valance Return Size 3 1/2"
- Color Coordinated Cord & Ladder

Specifications

- Minimum Width 20" Net
- Minimum Length 24"
- Maximum Width 96"
- Maximum Length 96"
- Minimum Return Size Is 5/8"

Factory Allowance (+ or - 1/8")

Color Availability

Smooth Design

- **W01 White**
- **W04 Alabaster**
- **W100 Pure White**
- **W901 Almost White**

Options

- Right Wand Tilt N/C
- Hold Downs N/C
- Spacers N/C
- Cut – Out \$30 Net

	Width In Inches UP TO												
	24"	30"	36"	42"	48"	54"	60"	66"	72"	78"	84"	90"	96"
30"	151	167	180	196	212	237	260	282	303	325	353	373	395
36"	162	178	192	212	229	258	284	308	329	354	386	408	434
42"	170	190	208	229	248	280	310	339	365	392	429	454	488
48"	184	205	224	246	266	302	336	366	393	425	466	493	527
54"	192	222	249	275	298	339	377	409	439	474	523	554	592
60"	208	237	264	292	317	361	402	440	473	515	564	595	639
66"	222	253	282	313	342	388	431	469	505	549	608	639	699
73"	235	269	300	333	365	416	465	508	551	606	659	700	758
78"	240	279	315	349	381	442	500	540	578	625	710	752	820
84"	257	296	333	371	406	460	512	561	607	666	746	803	861
90"	269	310	348	389	427	487	545	596	646	684	782	844	904
96"	276	324	369	412	453	514	572	625	677	700	821	886	948

2" CUSTOM CORDLESS WOOD-GROUP 2

Standard Features

- 2" Select Basswood Slat
- 3 ¼" Signature Valance
- 2" x 2 ¼" Steel Head Rail
- Trapezoid Bottom Rail
- Wand Tilt Left
- Valance Return Size 3 1/2"
- Color Coordinated Cord & Ladder

Options

- Right Wand Tilt N/C
- Hold Downs N/C
- Spacers N/C
- Cut – Out \$30 Net

Specifications

- Minimum Width 20" Net
- Minimum Length 24"
- Maximum Width 96"
- Maximum Length 96"
- Minimum Return Size Is 5/8"

Factory Allowance (+ or – 1/8")

Color Availability

- W06 Pecan
- W07 Cherry
- W08 Dark Teak
- W11 Chestnut
- W12 Light Oak
- W201 Mahogany

	Width In Inches UP TO												
	24"	30"	36"	42"	48"	54"	60"	66"	72"	78"	84"	90"	96"
30"	181	200	216	235	254	284	312	338	364	390	424	448	474
36"	194	214	230	254	275	310	341	370	395	425	463	490	521
42"	204	228	250	275	298	336	372	407	438	470	515	545	586
48"	221	246	269	295	319	362	403	439	472	510	559	592	632
54"	230	266	299	330	358	407	452	491	527	569	628	665	710
60"	250	284	317	350	380	433	482	528	568	618	677	714	767
66"	266	304	338	376	410	466	517	563	606	659	730	767	839
73"	282	323	360	400	438	499	558	610	661	727	791	840	910
78"	288	335	378	419	457	530	600	648	694	750	852	902	984
84"	308	355	400	445	487	552	614	673	728	799	895	964	1033
90"	323	372	418	467	512	584	654	715	775	821	938	1013	1085
96"	331	389	443	494	544	617	686	750	812	840	985	1063	1138

2" CUSTOM CORDLESS FAUXWOOD-GROUP 1

Standard Features

- 2" Flat PVC Foam Slat
- 3 ¼" Majestic Valance
- 2" x 2 ¼" Steel Head Rail
- Square Bottom Rail
- Wand Tilt Left
- Valance Return Size 3 1/2"
- Color Coordinated Cord & Ladder

Specifications

- Minimum Width 6" Net
- Minimum Length 12"
- Maximum Width 96"
- Maximum Length 120"
- Minimum Return Size Is 5/8"

Factory Allowance (+ or - 1/8")

Color Availability

- E02 White
- E03 Antique White
- E04 Alabaster
- SE02 Embossed White
- SE03 Embossed Antique White
- SE04 Embossed Alabaster

Options

- Right Wand Tilt N/C
- Hold Downs N/C
- Spacers N/C
- Cut – Out \$20 Net

The Following Sizes Will Have: Wand Tilt Only, No Lift Options, No Warranty.

1. All Sizes 6" – 20" Net Width.

2. Sizes 6" – 13" Net Width To Have Center Tilt Only.

3. Sizes With 12" – 24" Length & 96" – 120" Length.

	Width In Inches UP TO												
	24"	30"	36"	42"	48"	54"	60"	66"	72"	78"	84"	90"	96"
30"	151	167	180	196	212	237	260	282	303	325	353	373	395
36"	162	178	192	212	229	258	284	308	329	354	386	408	434
42"	170	190	208	229	248	280	310	339	365	392	429	454	488
48"	184	205	224	246	266	302	336	366	393	425	466	493	527
54"	192	222	249	275	298	339	377	409	439	474	523	554	592
60"	208	237	264	292	317	361	402	440	473	515	564	595	639
66"	222	253	282	313	342	388	431	469	505	549	608	639	699
73"	235	269	300	333	365	416	465	508	551	606	659	700	758
78"	240	279	315	349	381	442	500	540	578	625	710	752	820
84"	257	296	333	371	406	460	512	561	607	666	746	803	861
90"	269	310	348	389	427	487	545	596	646	684	782	844	904
96"	276	324	369	412	453	514	572	625	677	700	821	886	948
102"	290	340	387	433	476	540	601	656	711	735	862	930	995
108"	304	357	407	454	499	567	631	689	746	772	905	976	1045
114"	320	375	427	477	524	595	662	724	784	810	950	1026	1097
120"	335	394	449	501	551	625	695	760	823	851	998	1077	1152

2" CUSTOM CORDLESS FAUXWOOD-GROUP2

Standard Features

- 2" Flat PVC Foam Slat
- 3 ¼" Majestic Valance
- 2" x 2 ¼" Steel Head Rail
- Square Bottom Rail
- Wand Tilt Left
- Valance Return Size 3 1/2"
- Color Coordinated Cord & Ladder

Specifications

- Minimum Width 6" Net
- Minimum Length 12"
- Maximum Width 96"
- Maximum Length 120"
- Minimum Return Size Is 5/8"

Factory Allowance (+ or - 1/8")

Color Availability

- E05 Natural
- E08 Cherry
- E09 Mahogany
- SE05 Embossed Natural
- SE08 Embossed Cherry
- SE09 Embossed Mahogany

Options

- Right Wand Tilt N/C
- Hold Downs N/C
- Spacers N/C
- Cut - Out \$20 Net

The Following Sizes Will Have: Wand Tilt Only, No Lift Options, No Warranty.

1. All Sizes 6" – 20" Net Width.

2. Sizes 6" – 13" Net Width To Have Center Tilt Only.

3. Sizes With 12" – 24" Length & 96" – 120" Length.

	Width In Inches UP TO												
	24"	30"	36"	42"	48"	54"	60"	66"	72"	78"	84"	90"	96"
30"	166	184	198	216	233	261	286	310	333	358	388	410	435
36"	178	196	211	233	252	284	312	339	362	389	425	449	477
42"	187	209	229	252	273	308	341	373	402	431	472	499	537
48"	202	226	246	271	292	332	370	403	432	468	513	542	580
54"	211	244	275	303	328	373	415	450	483	521	575	609	651
60"	229	261	290	321	349	397	442	484	520	567	620	655	703
66"	244	278	310	344	376	427	474	516	556	604	669	703	769
73"	259	296	330	366	402	458	512	559	606	667	725	770	834
78"	264	307	347	384	419	486	550	594	636	688	781	827	902
84"	283	326	366	408	447	506	563	617	668	733	821	883	947
90"	296	341	383	428	470	536	600	656	711	752	860	928	994
96"	304	356	406	453	498	565	629	688	745	770	903	975	1043
102"	319	374	426	476	523	593	660	722	782	809	948	1024	1095
108"	335	392	448	499	549	623	693	759	821	849	996	1075	1150
114"	352	412	470	524	576	654	728	796	862	891	1045	1129	1207
120"	370	433	493	551	605	687	765	836	906	936	1098	1185	1268

2" EXPRESSION CORDLESS FAUXWOOD

Standard Features

- 2" Flat PVC Foam Slat
- 3 ¼" Majestic Valance
- 2" x 2 ¼" Steel Head Rail
- Square Bottom Rail
- Wand Tilt Left
- Valance Return Size 3 1/2"
- Color Coordinated Cord & Ladder

Options

- Right Wand Tilt N/C
- Hold Downs N/C
- Spacers N/C
- Cut – Out \$20 Net

Specifications

- Minimum Width 20" Net
- Minimum Length 24"
- Maximum Width 96"
- Maximum Length 96"
- Minimum Return Size Is 5/8"

Factory Allowance (+ or – 1/8")

Color Availability - Printed

- 253 Pecan
- 254 Oak
- 256 Chestnut
- 257 Mahogany

	Width In Inches UP TO												
	24"	30"	36"	42"	48"	54"	60"	66"	72"	78"	84"	90"	96"
30"	181	200	216	235	254	284	312	338	364	390	424	448	474
36"	194	214	230	254	275	310	341	370	395	425	463	490	521
42"	204	228	250	275	298	336	372	407	438	470	515	545	586
48"	221	246	269	295	319	362	403	439	472	510	559	592	632
54"	230	266	299	330	358	407	452	491	527	569	628	665	710
60"	250	284	317	350	380	433	482	528	568	618	677	714	767
66"	266	304	338	376	410	466	517	563	606	659	730	767	839
73"	282	323	360	400	438	499	558	610	661	727	791	840	910
78"	288	335	378	419	457	530	600	648	694	750	852	902	984
84"	308	355	400	445	487	552	614	673	728	799	895	964	1033
90"	323	372	418	467	512	584	654	715	775	821	938	1013	1085
96"	331	389	443	494	544	617	686	750	812	840	985	1063	1138

2" and 2 1/2" BUDGET CORDLESS FAUXWOOD

Standard Features

- Flat PVC Foam Slat
- 3 1/4" Majestic Valance
- 2" x 2 1/4" Steel Head Rail
- Square Bottom Rail
- Wand Tilt Left
- Valance Return Size 3 1/2" (For 2")
- Valance Return Size 3 3/4" (For 2 1/2")
- Color Coordinated Cord & Ladder

Specifications

- Minimum Width 15" Net
- Minimum Length 24"
- Maximum Width 72"
- Maximum Length 96"
- Minimum Return Size Is 5/8"

Factory Allowance (+ or - 1/8")

Color Availability

2" Budget Cordless FW

- BC 01 Off White
- BC 02 White
- BCS 01 Embossed Off White
- BCS 02 Embossed White

2.5" Budget Cordless FW

- BCF 22 White

Options

- Hold Downs N/C
- Spacers N/C

	Width In Inches UP TO												
	24"	28"	32"	36"	40"	44"	48"	52"	56"	60"	64"	68"	72"
30"	143	156	169	185	199	209	218	238	252	277	291	304	316
36"	150	165	178	200	208	220	231	250	262	294	308	324	346
42"	162	178	193	213	224	238	257	270	283	314	330	349	373
48"	173	189	201	225	234	248	268	281	300	336	353	372	400
54"	188	209	222	249	259	276	298	313	329	371	390	409	432
60"	200	216	235	266	277	294	313	333	350	396	416	437	458
66"	214	229	252	282	296	314	335	356	374	420	440	462	499
72"	225	245	265	300	312	331	357	374	395	446	468	499	524
78"	233	256	277	310	323	342	369	388	414	474	498	533	558
84"	245	268	290	325	338	358	392	406	436	496	521	558	593
90"	257	282	305	342	356	377	407	428	466	516	542	579	615
96"	268	295	318	357	371	393	434	446	498	544	570	604	646

1" CORDLESS ALUMINUM

GROUP 1

Standard Features

- 1" X 1" Steel Head Rail
- C-Channel Steel Bottom Rail
- 1" x 0.006 Aluminum Slat
- Clear PVC Wand Tilt Left

Specifications

- Minimum Width 13" Net
- Minimum Length 24"
- Maximum Width 108"
- Maximum Length 108"

**BLIND OVER 72" WIDTH,
MAX LENGTH IS 96"
Factory Allowance (+ or - 1/8")**

Color Availability

- **205 White Satin**
- **100 Vanilla**
- **112 Alabaster**
- **386 Snowcap White**

Options

- Right Wand Tilt N/C
- Hold Downs N/C
- Spacers N/C
- Cut – Out \$20 Net

Length Up To	Width Up To														
	24"	30"	36"	42"	48"	54"	60"	66"	72"	78"	84"	90"	96"	102"	108"
36"	205	216	225	230	242	248	263	288	322	326	343	384	410	451	496
42"	209	218	227	238	247	255	269	311	327	329	348	388	413	454	500
48"	214	224	233	243	254	260	276	317	334	338	355	396	428	471	518
54"	216	226	236	250	260	266	285	324	340	345	362	407	439	483	531
60"	219	231	242	256	265	272	291	334	351	355	374	419	453	498	548
66"	222	234	245	259	271	278	297	338	357	362	379	423	469	516	568
72"	224	239	253	265	276	285	305	340	359	364	382	429	480	528	581
78"	266	284	301	321	339	348	375	386	415	438	462	485	494	543	598
84"	270	289	307	326	343	353	381	401	423	448	472	495	517	570	626
90"	279	298	316	339	354	369	395	421	439	465	494	514	569	627	689
96"	282	303	323	344	362	373	405	430	449	475	502	565	626	690	759
102"	324	349	372	396	416	429	466	495	516						
108"	373	401	428	455	478	494	535	569	594						

1" CORDLESS ALUMINUM

GROUP 2

Standard Features

- 1" X 1" Steel Head Rail
- C-Channel Steel Bottom Rail
- 1" x 0.006 Aluminum Slat
- Clear PVC Wand Tilt Left

Specifications

- Minimum Width 13" Net
- Minimum Length 24"
- Maximum Width 108"
- Maximum Length 108"

**BLIND OVER 72" WIDTH,
MAX LENGTH IS 96"**
Factory Allowance (+ or - 1/8")

Color Availability

- **034 Brushed Aluminum**
- **026 Smokey Grey**
- **062 Char Brown**
- **233 Black Satin**

Options

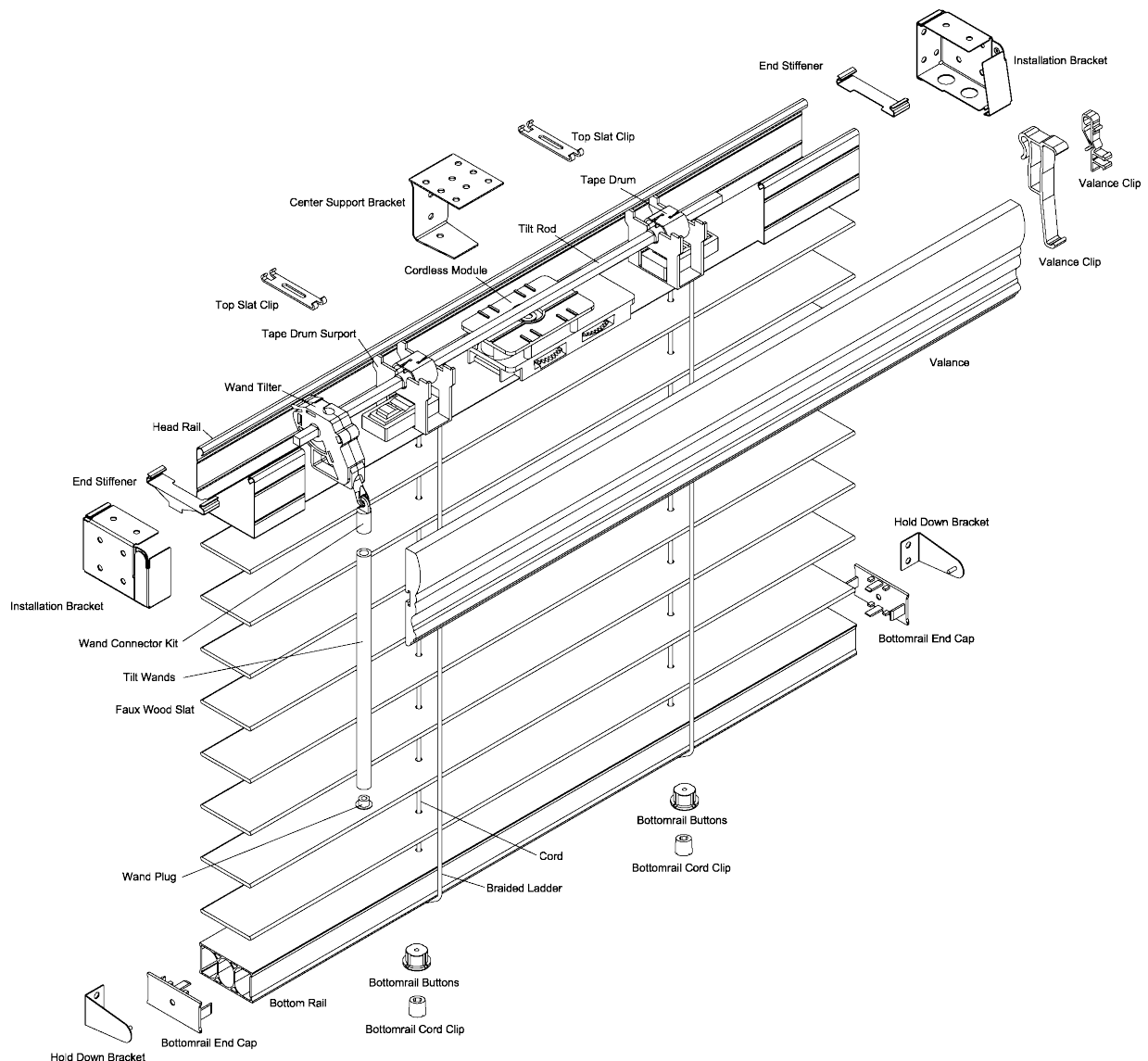
- Right Wand Tilt N/C
- Hold Downs N/C
- Spacers N/C
- Cut – Out \$20 Net

Length Up To	Width Up To														
	24"	30"	36"	42"	48"	54"	60"	66"	72"	78"	84"	90"	96"	102"	108"
36"	236	248	259	265	278	285	302	331	370	375	394	442	472	519	570
42"	240	251	261	274	284	293	309	358	376	378	400	446	475	522	575
48"	246	258	268	279	292	299	317	365	384	389	408	455	492	542	596
54"	248	260	271	288	299	306	328	373	391	397	416	468	505	555	611
60"	252	266	278	294	305	313	335	384	404	408	430	482	521	573	630
66"	255	269	282	298	312	320	342	389	411	416	436	486	539	593	653
72"	258	275	291	305	317	328	351	391	413	418	439	493	552	607	668
78"	306	327	346	369	390	400	431	444	477	504	531	558	568	624	688
84"	310	332	353	375	394	406	438	461	486	515	543	569	595	656	720
90"	321	343	363	390	407	424	454	484	505	535	568	591	654	721	792
96"	324	348	372	396	416	429	466	495	516	546	577	650	720	794	873
102"	373	402	428	455	478	493	536	569	594						
108"	429	461	492	523	550	568	615	654	682						

2" STOCK CORDLESS FAUXWOOD

Standard Features:

- 2" Flat PVC Foam Slat
- 3 1/4" Majestic Valance
- 2" x 2 1/4" Steel Head Rail
- Square PVC Bottom Rail
- Left Wand Tilt Only
- **Color: CLWH Smooth White ONLY**
- Hardware Included
- **All Sizes are Exact Sizes. Not Returnable**



2" STOCK CORDLESS FAUXWOOD: Sizes Available

Standard Features:

- 2" Flat PVC Foam Slat, 3 1/4" Majestic Valance
- 2" x 2 1/4" Steel Head Rail, Square PVC Bottom Rail
- Left Wand Tilt Only, Hardware Included.
- **All Sizes are Exact Blinds Sizes. Not Returnable.**

For Outside Mount Blinds,
Return Size is 3 1/2"
Hold Downs / Spacers



Options : **Cut-Down Width** (Add \$5.00 per blind) (Can be cut 1/4" – 1" on each side)

- Width 11.5" and Under Cannot Cut Width
- Width 12"- 15.875" Can Cut 0.5" One Side Only

Shorten Length (Add \$7.00 per blind) Can be shortened up to 8"

- Length 24" Cannot Shorten

Factory Allowance (+ or – 1/8")

Color: CLWH Smooth White ONLY

No	Length 24"	Wand
1	21.75 x 24	18"
2	22.125 x 24	18"
3	23.5 x 24	18"
4	34.125 x 24	18"
5	46.125 x 24	18"
6	70.125 x 24	18"
	Length 36"	
7	15.875 x 36	18"
8	21.75 x 36	18"
9	22.125 x 36	18"
10	22.5 x 36	18"
11	24.5 x 36	18"
12	26.5 x 36	18"
13	27.75 x 36	18"
14	28 x 36	18"
15	28.375 x 36	18"
16	29.875 x 36	18"
17	30.5 x 36	18"
18	33.5 x 36	18"
19	33.875 x 36	18"
20	34.125 x 36	18"
21	34.625 x 36	18"
22	35 x 36	18"
23	35.625 x 36	18"
24	38.5 x 36	18"
19	33.875 x 36	18"
20	34.125 x 36	18"

No	Length 36"	Wand
21	34.625 x 36	18"
22	35 x 36	18"
23	35.625 x 36	18"
24	38.5 x 36	18"
25	46.125 x 36	18"
26	46.625 x 36	18"
27	58.625 x 36	18"
28	62.5 x 36	18"
29	70.125 x 36	18"
30	70.5 x 36	18"
31	71.5 x 36	18"
	Length 43"	
32	22.5 x 43	24"
33	24 x 43 (OB)	24"
34	28.375 x 43	24"
35	34.125 x 43	24"
36	46.125 x 43	24"
37	58.125 x 43	24"
38	70.125 x 43	24"
	Length 48"	
39	15.875 x 48	18"
40	16.5 x 48	18"
41	21.75 x 48	18"
42	22.125 x 48	24"
43	22.5 x 48	24"
44	24.5 x 48	24"
45	25.5 x 48	24"

No	Length 48"	Wand
46	26.5 x 48	24"
47	27.75 x 48	24"
48	28 x 48	24"
49	28.375 x 48	24"
50	29.875 x 48	24"
51	30.5 x 48	24"
52	30.75 x 48	24"
53	32.5 x 48	24"
54	33.5 x 48	24"
55	33.875 x 48	24"
56	34.125 x 48	24"
57	34.625 x 48	24"
58	35 x 48	24"
59	35.625 x 48	24"
60	38.5 x 48	24"
61	40.125 x 48	24"
62	41.5 x 48	24"
63	42.5 x 48	24"
64	44.5 x 48	24"
65	45.75 x 48	24"
66	46.125 x 48	24"
67	46.625 x 48	24"
68	47.5 x 48	24"
69	57.75 x 48	24"
70	58.125 x 48	24"
71	58.625 x 48	24"
72	59.5 x 48	24"

No	Length 48"	Wand
73	62.5 x 48	24"
74	68.5 x 48	24"
75	69.75 x 48	24"
76	70.125 x 48	24"
77	70.5 x 48	24"
78	71.5 x 48	24"
	Length 54"	
79	22.5 x 54	24"
80	26.5 x 54	24"
81	28.375 x 54	29"
82	30.75 x 54	29"
83	32.5 x 54	29"
84	34.125 x 54	29"
85	34.625 x 54	29"
86	35.625 x 54	29"
87	38.5 x 54	29"
88	42.5 x 54	29"
89	70.5 x 54	29"
	Length 60"	
90	15.875 x 60	18"
91	16.25 x 60	18"
92	16.5 x 60	18"
93	18.5 x 60	18"
94	21.75 x 60	18"
95	22.125 x 60	24"
96	22.5 x 60	24"
97	22.875 x 60	24"

2" STOCK CORDLESS FAUXWOOD: Sizes Available (Continued)

No	Length 60"	Wand
98	23.5 x 60	24"
99	24 x 60	24"
100	24.5 x 60	24"
101	25.5 x 60	24"
102	26.5 x 60	29"
103	27.75 x 60	29"
104	28 x 60	29"
105	28.375 x 60	29"
106	29.875 x 60	29"
107	30.5 x 60	29"
108	30.75 x 60	29"
109	31.5 x 60	29"
110	32.5 x 60	29"
111	33 x 60	29"
112	33.5 x 60	29"
113	33.875 x 60	29"
114	34.125 x 60	29"
115	34.375 x 60	29"
116	34.625 x 60	29"
117	35 x 60	29"
118	35.625 x 60	29"
119	36.5 x 60	29"
120	37.5 x 60	29"
121	38 x 60	29"
122	38.5 x 60	29"
123	40.125 x 60	29"
124	40.5 x 60	29"
125	41.5 x 60	29"
126	42.125 x 60	29"
127	42.5 x 60	29"
128	44.5 x 60	29"
129	45.5 x 60	29"
130	45.75 x 60	29"
131	46.125 x 60	29"
132	46.625 x 60	29"
133	47.5 x 60	29"
134	49.5 x 60	29"
135	51.75 x 60	29"

No	Length 60"	Wand
136	52.5 x 60	29"
137	53.5 x 60	29"
138	55.5 x 60	29"
139	57.75 x 60	29"
140	58.125 x 60	29"
141	58.625 x 60	29"
142	59.5 x 60	29"
143	61.5 x 60	29"
144	62.5 x 60	29"
145	64.5 x 60	29"
146	66.5 x 60	29"
147	68.5 x 60	29"
148	69.25 x 60	29"
149	69.75 x 60	29"
150	70.125 x 60	29"
151	70.5 x 60	29"
152	71 x 60	29"
153	71.5 x 60	29"
	Length 64"	
154	16.5 x 64	18"
155	22.5 x 64	24"
156	26.5 x 64	24"
157	28 x 64	29"
158	29.875 x 64	29"
159	30.5 x 64	29"
160	31.5 x 64	29"
161	32.5 x 64	29"
162	33.5 x 64	29"
163	34.125 x 64	29"
164	34.625 x 64	29"
165	35.625 x 64	29"
166	36.5 x 64	29"
167	38.5 x 64	29"
168	42.5 x 64	29"
169	46.625 x 64	29"
170	47.5 x 64	29"
171	51.75 x 64	29"
172	53.5 x 64	29"
173	70.125 x 64	29"

No	Length 68"	Wand
174	24 x 68 (OB)	24"
	Length 72"	
175	10 x 72	12"
176	10.5 x 72	12"
177	11.5 x 72	12"
178	13 x 72	12"
179	15.875 x 72	18"
180	16.25 x 72	18"
181	16.5 x 72	18"
182	18.5 x 72	18"
183	21.75 x 72	18"
184	22.125 x 72	24"
185	22.5 x 72	24"
186	22.875 x 72	24"
187	23.5 x 72	24"
188	24 x 72 (OB)	24"
189	24.5 x 72 (OB)	24"
190	25 x 72 (OB)	24"
191	25.5 x 72	24"
192	26 x 72	24"
193	26.5 x 72	29"
194	27.75 x 72	29"
195	28 x 72	29"
196	28.375 x 72	29"
197	29.5 x 72	29"
198	29.875 x 72	29"
199	30.5 x 72	29"
200	30.75 x 72	29"
201	31.5 x 72	29"
202	32.5 x 72	29"
203	33 x 72	31"
204	33.5 x 72	31"
205	33.875 x 72	31"
206	34.125 x 72	31"
207	34.375 x 72	31"
208	34.625 x 72	31"

No	Length 72"	Wand
209	35 x 72	31"
210	35.625 x 72	31"
211	36.5 x 72	31"
212	37.5 x 72	31"
213	38 x 72	31"
214	38.5 x 72	31"
215	40.125 x 72	31"
216	40.5 x 72	31"
217	41.5 x 72	31"
218	42.125 x 72	31"
219	42.5 x 72	31"
220	44.5 x 72	31"
221	45.5 x 72	31"
222	45.75 x 72	31"
223	46.125 x 72	31"
224	46.625 x 72	31"
225	47.5 x 72	31"
226	49.5 x 72	31"
227	51.75 x 72	31"
228	53.5 x 72	31"
229	55.5 x 72	31"
230	57.75 x 72	31"
231	58.125 x 72	31"
232	58.625 x 72	31"
233	59.5 x 72	31"
234	61.5 x 72	31"
235	62.5 x 72	31"
236	64.5 x 72	31"
237	66.5 x 72	31"
238	68.5 x 72	31"
239	69.25 x 72	31"
240	69.75 x 72	31"
241	70.125 x 72	31"
242	70.5 x 72	31"
243	71 x 72	31"
244	71.5 x 72	31"

2" STOCK CORDLESS FAUXWOOD: Sizes Available (Continued)

No	Length 78"	Wand
245	30.5 x 78	31"
246	34.125 x 78	31"
247	35.625 x 78	31"
248	46.625 x 78	31"
	Length 84"	
249	10.5 x 84	12"
250	12 x 84	12"
251	14 x 84	12"
252	16.5 x 84	18"
253	22.125 x 84	24"
254	22.5 x 84	24"
255	24 x 84 (OB)	24"
256	24.5 x 84 (OB)	24"
257	25 x 84 (OB)	24"
258	26.5 x 84	29"
259	28.375 x 84	29"
260	30.5 x 84	29"
261	31.5 x 84	29"
262	33.5 x 84	31"

No	Length 84"	Wand
263	33.875 x 84	36"
264	34.125 x 84	36"
265	34.625 x 84	36"
266	35 x 84	36"
267	35.625 x 84	36"
268	36.5 x 84	36"
269	38.5 x 84	36"
270	40.5 x 84	36"
271	42.5 x 84	36"
272	46.125 x 84	36"
273	46.625 x 84	36"
274	47.5 x 84	36"
275	58.625 x 84	36"
276	62.5 x 84	36"
277	70.125 x 84	36"
278	70.5 x 84	36"
279	71 x 84	36"
280	71.5 x 84	36"

No	Length 86"	Wand
281	24 x 86 (OB)	24"
282	25 x 86 (OB)	24"

No	length 96"	Wand
283	16.5 x 96	18"
284	22.5 x 96	24"
285	24.5 x 96	24"
286	26.5 x 96	29"
287	28.375 x 96	29"
288	30.5 x 96	29"
289	31.5 x 96	29"
290	34.125 x 96	36"
291	34.625 x 96	36"
292	35.625 x 96	36"
293	36.5 x 96	36"
294	38.5 x 96	36"
295	40.5 x 96	36"
296	42.5 x 96	36"
297	47.5 x 96	36"
298	62.5 x 96	36"
299	71 x 96	36"

1" STOCK CORDLESS VINYL PLUS

Standard Features:

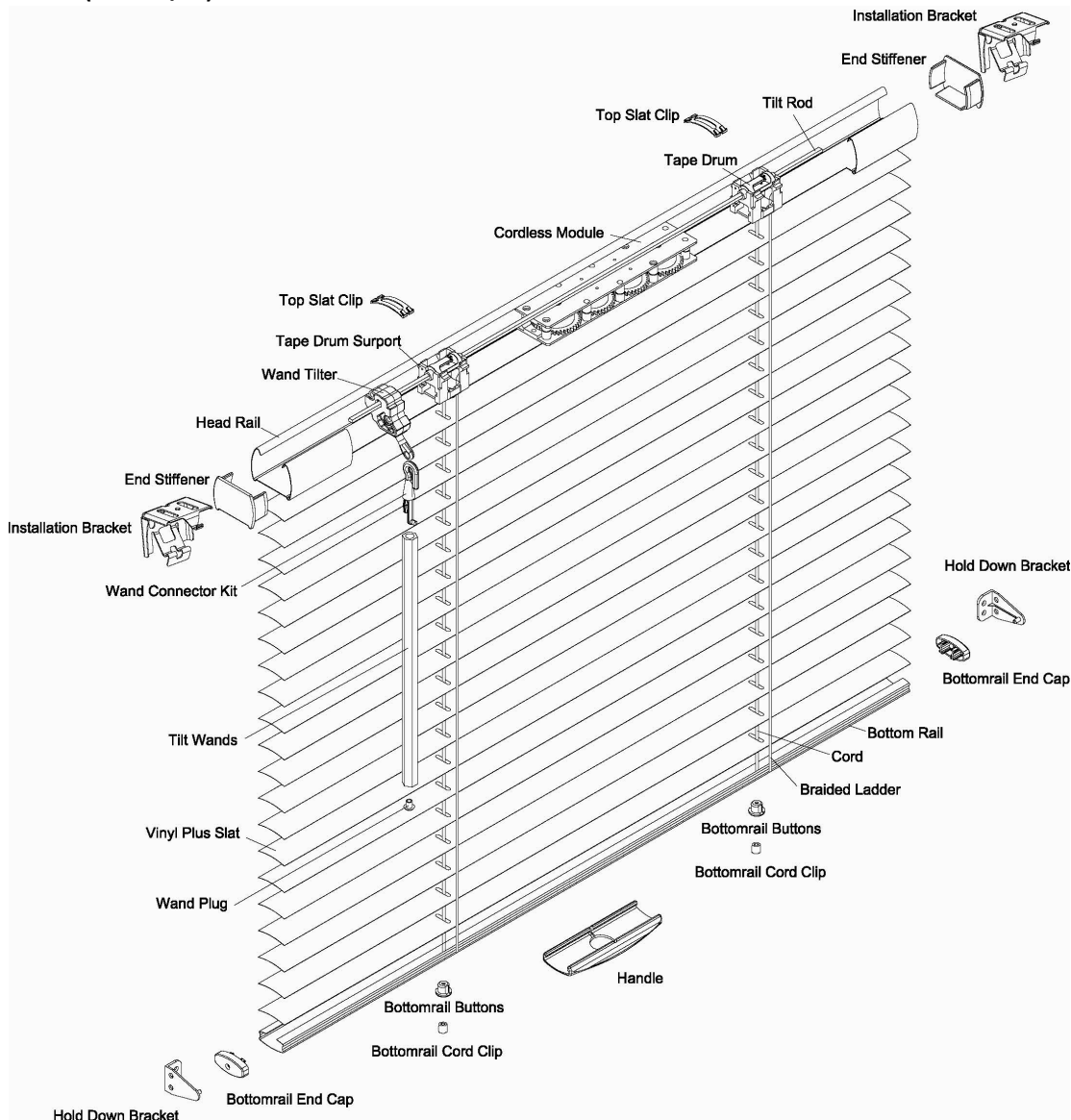
- 1.5" (W) x 1.125" (H) x 0.5 mm (D) Contoured Steel Headrail
- 1" Room Darkening PVC Slats
- Sturdy Steel Bottomrail
- Wand Tilt Only
- Child Safe Cordless Design
- All Sizes are Exact Sizes. Not Returnable.
- Color: 1 CLPVWH Smooth White ONLY

Minimum Cut Per Side = 1/2"
Maximum Cut Per Side = 2 1/2"

Option

- **Cut-Down Width Only** Add \$5.00 per blind. Can be cut 3/4" – 2 1/2" off on each side.

Factory Allowance (+ or - 1/8")



1" STOCK CORDLESS VINYL PLUS: Sizes Available

No	Length 36"	Wand
1	21.5 x 36	18"
2	22 x 36	18"
3	22.5 x 36	18"
4	24.5 x 36	18"
5	26.5 x 36	18"
6	28 x 36	18"
7	28.5 x 36	18"
8	29.5 x 36	18"
9	30.5 x 36	18"
10	33.5 x 36	18"
11	34 x 36	18"
12	34.5 x 36	18"
13	35.5 x 36	18"
14	42.5 x 36	18"
15	46 x 36	18"
16	46.5 x 36	18"
17	56.5 x 36	18"
18	58 x 36	18"
19	58.5 x 36	18"
20	69.5 x 36	18"
21	70 x 36	18"
22	70.5 x 36	18"
23	71.5 x 36	18"
	Length 43"	
24	24 x 43	24"
	Length 48"	
25	16.5 x 48	18"
26	18.5 x 48	18"
27	21.5 x 48	18"
28	22 x 48	18"
29	22.5 x 48	18"
30	24.5 x 48	24"
31	26.5 x 48	24"
32	27 x 48	24"
33	27.5 x 48	24"
34	28 x 48	24"
35	28.5 x 48	24"
36	29.5 x 48	24"

No	Length 48"	Wand
37	30 x 48	24"
38	30.5 x 48	24"
39	31 x 48	24"
40	31.5 x 48	24"
41	32 x 48	24"
42	33.5 x 48	24"
43	34 x 48	24"
44	34.5 x 48	24"
45	35 x 48	24"
46	35.5 x 48	24"
47	38.5 x 48	24"
48	40.5 x 48	24"
49	42.5 x 48	24"
50	44.5 x 48	24"
51	45.5 x 48	24"
52	46 x 48	24"
53	46.5 x 48	24"
54	47.5 x 48	24"
55	56.5 x 48	24"
56	57.5 x 48	24"
57	58 x 48	24"
58	58.5 x 48	24"
59	59 x 48	24"
60	59.5 x 48	24"
61	68.5 x 48	24"
62	69.5 x 48	24"
63	70 x 48	24"
64	70.5 x 48	24"
65	71.5 x 48	24"
	Length 60"	
66	16.5 x 60	18"
67	21.5 x 60	18"
68	22 x 60	18"
69	22.5 x 60	18"
70	24 x 60	24"
71	25.5 x 60	24"
72	26.5 x 60	24"
73	27 x 60	24"

No	Length 60"	Wand
74	27.5 x 60	24"
75	28 x 60	29"
76	28.5 x 60	29"
77	29 x 60	29"
78	29.5 x 60	29"
79	30 x 60	31"
80	30.5 x 60	31"
81	31 x 60	31"
82	31.5 x 60	31"
83	32 x 60	31"
84	32.5 x 60	31"
85	33.5 x 60	31"
86	34 x 60	31"
87	34.5 x 60	31"
88	35 x 60	31"
89	35.5 x 60	31"
90	36.5 x 60	31"
91	37.5 x 60	31"
92	38.5 x 60	31"
93	39.5 x 60	31"
94	40 x 60	31"
95	40.5 x 60	31"
96	41 x 60	31"
97	41.5 x 60	31"
98	42.5 x 60	31"
99	44.5 x 60	31"
100	45.5 x 60	31"
101	46 x 60	31"
102	46.5 x 60	31"
103	47.5 x 60	31"
104	51.5 x 60	31"
105	52 x 60	31"
106	53.5 x 60	31"
107	54.5 x 60	31"
108	56.5 x 60	31"
109	57.5 x 60	31"
110	58 x 60	31"
111	58.5 x 60	31"

No	Length 60"	Wand
112	59 x 60	31"
113	61.5 x 60	31"
114	62.5 x 60	31"
115	64.5 x 60	31"
116	66 x 60	31"
117	67 x 60	31"
118	68.5 x 60	31"
119	69 x 60	31"
120	69.5 x 60	31"
121	70 x 60	31"
122	70.5 x 60	31"
123	71.5 x 60	31"
	Length 64"	
124	22.5 x 64	18"
125	25.5 x 64	24"
126	26.5 x 64	24"
127	27.5 x 64	24"
128	28.5 x 64	29"
129	29.5 x 64	29"
130	30 x 64	31"
131	30.5 x 64	31"
132	31.5 x 64	31"
133	32 x 64	31"
134	32.5 x 64	31"
135	33.5 x 64	31"
136	34.5 x 64	31"
137	35.5 x 64	31"
138	37.5 x 64	31"
139	38.5 x 64	31"
140	39.5 x 64	31"
141	40.5 x 64	31"
142	42.5 x 64	31"
143	45.5 x 64	31"
144	46.5 x 64	31"
145	47.5 x 64	31"
146	51.5 x 64	31"
147	57.5 x 64	31"
148	69.5 x 64	31"

1" STOCK CORDLESS VINYL PLUS: Sizes Available

No	Length 64"	Wand
149	70 x 64	31"
150	71.5 x 64	31"
	Length 72"	
151	16.5 x 72	18"
152	17.5 x 72	18"
153	18.5 x 72	18"
154	21.5 x 72	18"
155	22 x 72	18"
156	22.5 x 72	18"
157	23 x 72	24"
158	23.5 x 72	24"
159	24 x 72	24"
160	24.5 x 72	24"
161	25.5 x 72	24"
162	26 x 72	24"
163	26.5 x 72	24"
164	27.5 x 72	24"
165	28 x 72	29"
166	28.5 x 72	29"
167	29 x 72	29"
168	29.5 x 72	29"
169	30 x 72	31"
170	30.5 x 72	31"
171	31 x 72	31"
172	31.5 x 72	31"
173	32 x 72	31"
174	32.5 x 72	31"
175	33.5 x 72	31"
176	34 x 72	31"
177	34.5 x 72	31"
178	35 x 72	31"
179	35.5 x 72	36"
180	36.5 x 72	36"
181	37.5 x 72	36"
182	38.5 x 72	36"
183	39.5 x 72	36"
184	40 x 72	36"

No	Length 72"	Wand
185	40.5 x 72	36"
186	41 x 72	36"
187	41.5 x 72	36"
188	42.5 x 72	36"
189	44.5 x 72	36"
190	45.5 x 72	36"
191	46 x 72	36"
192	46.5 x 72	36"
193	47.5 x 72	36"
194	51.5 x 72	36"
195	52.5 x 72	36"
196	53 x 72	36"
197	53.5 x 72	36"
198	54.5 x 72	36"
199	57.5 x 72	36"
200	58 x 72	36"
201	58.5 x 72	36"
202	61.5 x 72	36"
203	62 x 72	36"
204	62.5 x 72	36"
205	63.5 x 72	36"
206	64.5 x 72	36"
207	68.5 x 72	36"
208	69 x 72	36"
209	69.5 x 72	36"
210	70 x 72	36"
211	70.5 x 72	36"
212	71.5 x 72	36"
	Length 84"	
213	16.5 x 84	18"
214	17.5 x 84	18"
215	21.5 x 84	18"
216	22.5 x 84	18"
217	23.5 x 84	24"
218	24 x 84	24"
219	24.5 x 84	24"
220	25 x 84	24"

No	Length 84"	Wand
221	26.5 x 84	24"
222	27 x 84	24"
223	27.5 x 84	24"
224	28.5 x 84	29"
225	29.5 x 84	29"
226	30.5 x 84	31"
227	31.5 x 84	31"
228	32.5 x 84	31"
229	33.5 x 84	31"
230	34 x 84	31"
231	34.5 x 84	31"
232	35 x 84	36"
233	35.5 x 84	36"
234	36.5 x 84	36"
235	37.5 x 84	36"
236	38.5 x 84	36"
237	40.5 x 84	36"
238	42.5 x 84	36"
239	44.5 x 84	36"
240	46 x 84	36"
241	46.5 x 84	36"
242	47.5 x 84	36"
243	53.5 x 84	36"
244	56.5 x 84	36"
245	58.5 x 84	36"
246	59.5 x 84	36"
247	70 x 84	36"
248	70.5 x 84	36"
249	71.5 x 84	36"
	Length 96"	
250	16.5 x 96	18"
251	18.5 x 96	18"
252	22.5 x 96	18"
253	24.5 x 96	24"
254	26.5 x 96	24"
255	27 x 96	24"
256	28.5 x 96	29"

No	Length 96"	Wand
257	30.5 x 96	31"
258	31.5 x 96	31"
259	32.5 x 96	31"
260	34 x 96	31"
261	34.5 x 96	31"
262	35.5 x 96	36"
263	37.5 x 96	36"
264	38.5 x 96	36"
265	40.5 x 96	36"
266	42.5 x 96	36"
267	46 x 96	36"
268	47.5 x 96	36"
269	70 x 96	36"
270	71.5 x 96	36"

3.5" STOCK PVC VERTICAL

Standard Features:

- Steel Head Rail
- Wand Control
- Channel Panel Valance
- Non-Leaded PVC Vanes
- One Way Draw – Left or Right
- Individual Package
- Hardware Included
- Return Size 5"
- **Color: SVWHT Smooth White only**
- ALL Sizes Are EXACT Size (Width x Height)

Stock Size	Wand
35 x 48	31"
47 x 48	31"
59 x 48	31"
71 x 48	31"
71 x 48	31"
34 x 58	31"
35 x 60	31"
43 x 60	31"
47 x 60	31"
59 x 60	31"
63 x 60	31"

Stock Size	Wand
71 x 60	31"
72 x 60	31"
78 x 60	31"
34 x 72	31"
47 x 72	31"
54 x 84	31"
66 x 84	31"
71 x 84	31"
78 x 84	31"
85 x 84	31"
102 x 84	31"

Stock Size	Wand
104 x 84	31"
110 x 84	31"
114 x 84	31"
116 x 84	31"
78 x 96	36"
102 x 96	36"
78 x 100	36"
104 x 100	36"

- Limited 1 Year Warranty
- Actual Freight Will Be Applied If Shipped.
- **Not Returnable**

3.5" PVC EXPRESS VERTICAL

Standard Features

- Steel Head rail
- Wand Control
- Non – Leaded PVC Vanes
- One Way Draw – Left or Right
- Hardware Included
- Valance Return Size 5"
- Channel Panel Valance

Specifications

- Minimum Width 18" Net
- Minimum Length 12"
- Maximum Width 114"
- Maximum Length 192"

Factory Allowance (+ or – 1/8")

Color Availability

- CV- 88 Smooth White



Factory Allowance (+ or – 1/8")

For Inside Mount: Deduction 1/2" on Width, Deduction 1/2" on Length, Deduction 1/4" on Valance

For Outside Mount: No Deduction on Width & Length / Add 1" to Valance Width

	<i>Width In Inches UP TO</i>								
	<i>24"</i>	<i>36"</i>	<i>48</i>	<i>60"</i>	<i>72"</i>	<i>84"</i>	<i>96"</i>	<i>108"</i>	<i>114"</i>
<i>36"</i>	32	36	40	52	60	72	78	90	110
<i>48"</i>	34	38	44	56	66	78	86	100	118
<i>60"</i>	36	42	48	60	72	84	94	110	126
<i>72"</i>	38	44	52	66	78	92	104	120	138
<i>84"</i>	40	48	56	72	84	100	112	128	148
<i>96"</i>	42	50	60	76	90	108	120	138	160
<i>120"</i>	44	58	69	86	98	124	136	156	182
<i>44"</i>	46	66	78	96	116	138	152	176	204
<i>68"</i>	48	72	86	108	128	152	168	196	226
<i>192"</i>	50	78	94	118	140	166	186	214	248
Channel Valance Surcharge	5	5.50	6	6.50	7	7.50	8	8.50	9

- Limited 1 Year Warranty
- Actual Freight Will Be Applied If Shipped.

3.5" CURVED PVC VERTICAL

Standard Features

- 2" x 1 ¼" Aluminum Head rail
- Baked Enamel Ivory Finish Only
- Self-Aligning Scissor Linkage System
- Blinds Up to 84" Wide comes with Wand Tilt
- Blinds 84" – 192" wide comes with Nylon Pull Cord & Bead Chain Tilt at lengths to meet Child Safety Standards with tension device on both chain and cord
- One Way Draw
- 5" Return for Outside Mount with 3" Bracket (Standard)
- 1" Return for Inside Mount with ceiling clips

Specifications

- Minimum Width 8" Net
- Minimum Length 8"
- Maximum Width 192"
- Maximum Length 120"

Factory Allowance (+ or – 1/8") For Inside Mount:

Deduction 1/4" on Width
Deduction 2" on Length

For Outside Mount:

No Deduction Taken on Width
Deduction: 2" on Length

Actual Freight Will Be Applied If Shipped.

Color Availability

- **140 Curved White**
- **139 Curved Off White**
- **040 Curved Ivory**
- ~~307 Curved Tan~~ **Discontinued**
- **228 Curved Light Gray**



		Width In Inches UP TO															
		26"	39"	51"	64"	76"	85"	89"	102"	114"	126"	139"	151"	164"	176"	189"	192"
Height	48"	72	94	115	134	157	170	176	199	221	247	269	291	315	338	360	365
	60"	77	100	123	145	168	183	190	215	238	266	290	314	341	365	389	395
	72"	82	108	131	155	180	198	204	230	256	285	311	338	366	392	419	425
	84"	85	114	138	164	192	209	217	245	273	305	333	361	391	419	448	455
	96"	93	120	146	174	203	221	231	261	290	324	354	384	419	447	477	484
	108"	97	126	155	183	215	236	244	276	308	344	375	408	440	474	506	513
	120"	107	131	162	193	227	252	258	293	325	363	397	431	467	501	535	543

Options:

- Dust Cover Valance \$3.75 / Ft.
- Split Draw N/C (Required on blind over 120" wide)
- Reverse Draw N/C (Vane controls located opposite side of vane stack)
- Valance Returns N/C

ROYAL ARCH & QUARTER ROYAL ARCH

Standard Features

- Moveable 2" Wood Louvers
- Exclusive 3" Wood Molding
- 3" Bottom Trim



Color Availability

- W04 Alabaster
- W100 Pure White
- W901 Almost White

Options:

- Available without Bottom Trim Upon Request N/C
- If Template Required 25%

Specification

Minimum size for ROYAL ARCH	Width 20" with 10" in Height
Maximum size for ROYAL ARCH	Width 84" with 42" in Height
Minimum size for QUARTER ROYAL ARCH	Width 20" with 20" in Height
Maximum size for QUARTER ROYAL ARCH	Width 42" with 42" in Height

Template Required:

For Royal Arch, if height is less or greater than half of width by 1", (EX. 36" Width and Height is 17")

For Quarter Royal Arch, if height is less or greater than half of width by 1", (EX. 36" Width and Height is 35")

ROYAL ARCH

Width Up To	24	30	36	42	48	54	60	66	72	78	84
Price	220	270	300	330	360	450	490	530	580	680	730

QUARTER ROYAL ARCH

Width Up To	24	30	36	42
Price	270	350	420	490

- Orders can be placed using Royalwindowsinc.com or Email/Fax Completed Order Form. Phone orders cannot be accepted.
- We will not guarantee frames will line up when you attach two quarters together to make full Arch.
- Actual Freight Will Be Applied If Shipped

ELEGANT ARCH & QUARTER ELEGANT ARCH

Standard Features

- Moveable 2" Wood Louvers
- Exclusive 1 3/4" PVC Molding
- No Bottom Trim



Color Availability

- W04 Alabaster
- W100 Pure White
- W901 Almost White

Options:

- Customized Trim from 3/4" to 1 3/4" N/C
- Bottom Trim from 3/4" to 1 3/4" N/C
- If Template required Add 25%

Specification:

Minimum size for ELEGANT ARCH	Width 18" with 9" in Height
Maximum size for ELEGANT ARCH	Width 72" with 36" in Height
Minimum size for QUARTER ELEGANT ARCH	Width 18" with 18" in Height
Maximum size for QUARTER ELEGANT ARCH	Width 36" with 36" in Height

Template Required:

For Elegant Arch, if height is less or greater than half of width by 1", (EX. 36" Width and Height is 17")

For Quarter Elegant Arch, if height is less or greater than half of width by 1", (EX. 36" Width and Height is 35")

ELEGANT ARCH

Width Up To	24	30	36	42	48	54	60	66	72
Price	180	220	240	270	300	360	390	420	480

QUARTER ELEGANT ARCH

Width Up To	24	30	36	42
Price	220	290	320	350

- Orders can be placed using Royalwindowsinc.com or Email/Fax Completed Order Form. Phone orders cannot be accepted.
- We will not guarantee frames will line up when you attach two quarters together to make full Arch. Actual Freight Will Be Applied If Shipped

ROYAL EYEBROW &

QUARTER ROYAL EYEBROW

Standard Features

- Moveable 2" Wood Louvers
- Exclusive 3" Wood Molding
- 3" Bottom Trim



Royal Eyebrow

Color Availability

- **W04 Alabaster**
- **W100 Pure White**
- **W901 Almost White**

Options:

- Available without Bottom Trim Upon Request N/C

ROYAL EYEBROW Specification From 30" – 48" Wide

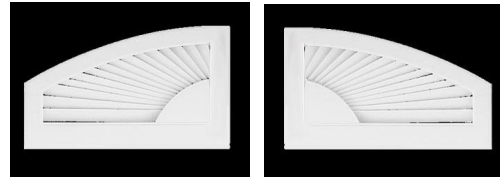
Minimum Width 30"	Maximum Width 48"	Minimum Left and Right Leg Height 6"
Maximum Left and Right Leg Height 12"	Minimum Center Height 12"	Maximum Center Height 24"

ROYAL EYEBROW Specification From 48 1/8" – 84" Wide

Minimum Width 48 1/8"	Maximum Width 84"	Minimum Left and Right Leg Height 9"
Maximum Left and Right Leg Height 18"	Minimum Center Height 18"	Maximum Center Height 36"

QUARTER ROYAL EYEBROW Specification

Minimum Width 30" Maximum Width 42"
 Short Leg Height = 6" – 12"
 Long Leg Height = 18" – 36"



ROYAL EYEBROW

Width Up To	30	36	42	48	54	60	66	72	78	84
Price	300	350	375	410	500	550	590	660	770	890

QUARTER ROYAL EYEBROW

Width Up To	30	36	42
Price	390	420	490

- Orders can be placed using Royalwindowsinc.com or Email/Fax Completed Order Form. Phone orders cannot be accepted.
- We will not guarantee frames will line up when you attach two quarters together to make full Arch. Actual Freight Will Be Applied If Shipped

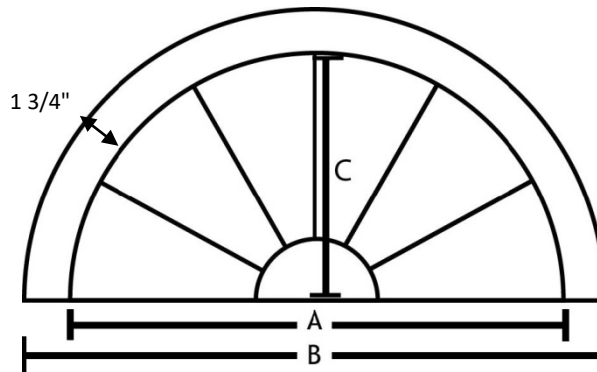
SMART ARCH

Standard Features

- Moveable 2" Wood Louvers
- Exclusive 1 3/4" PVC Molding
- No Bottom Trim
- Perfect Half Circle

Color Availability

- **W04 Alabaster**
- **W100 Pure White**
- **W901 Almost White**



Specification:

Width Size	Dimension A	Dimension B	Dimension C	Will cover Openings
24"	22"	25 1/2"	11"	22 5/8" - 25"
30"	28"	31 1/2"	14"	28 5/8" - 31"
36"	34"	37 1/2"	17"	34 5/8" - 37"
42"	40"	43 1/2"	20"	40 5/8" - 43"
48"	46"	49 1/2"	23"	46 5/8" - 49"
54"	52"	55 1/2"	26"	52 5/8" - 55"
60"	58"	61 1/2"	29"	58 5/8" - 61"
66"	64"	67 1/2"	32"	64 5/8" - 67"
72"	70"	73 1/2"	35"	70 5/8" - 73"

SMART ARCH

Width Up To	24	30	36	42	48	54	60	66	72
Price	120	150	180	210	240	270	300	330	360

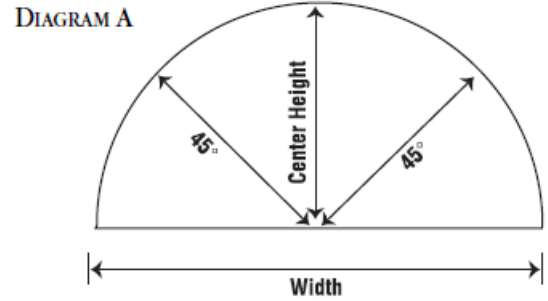
- Orders can be placed using Royalwindowsinc.com or Email/Fax Completed Order Form. Phone orders cannot be accepted.
- We will not guarantee frames will line up when you attach two quarters together to make full Arch. Actual Freight Will Be Applied If Shipped

How to Measure An Arch

Arches and Eyebrowes are made so they can be fitted into almost any window. This is possible by the exclusive molding that frames these products and also by accurate measuring. Just follow these simple instructions to insure a perfect fit.

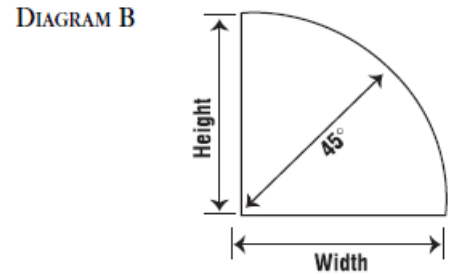
Arch

1. Measure base width of Arch opening
2. Measure height at three points (see diagram A).
3. Supply the smallest of the three measurements for the height.



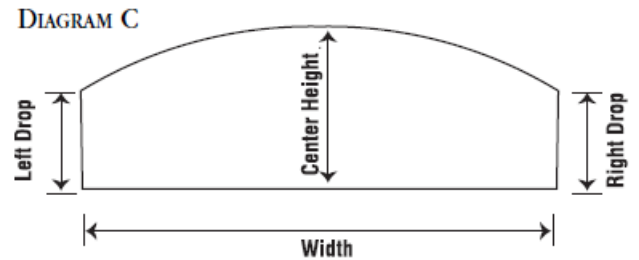
Quarter Arch

1. Measure base width.
2. Measure height and 45 degree angle (see diagram B).
3. Supply the smallest of the three measurements for the width and height.



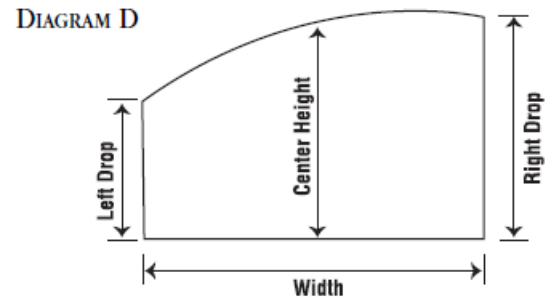
Eyebrow

1. Measure base width of Eyebrow opening.
2. Measure drop on left and right (see diagram C).
3. Measure center height.
4. Supply all four dimensions.



Quarter Eyebrow

1. Measure base width of Arch opening.
2. Measure left drop.
3. Measure center height (see diagram D).
4. Measure right drop.
5. Supply all four dimensions.



Redi Shade® Original Temporary Shade

is made of high quality white paper, gently allowing light to filter through it.

Available in 36" and 48" widths, each measures 72" in length. Redi-Shade is completely recyclable and cordless, making Redi Shade® safe for homes with children and pets.

Royal Windows now stocks the Redi-Shade Temporary Shade, Please review the following:

36" x 72"

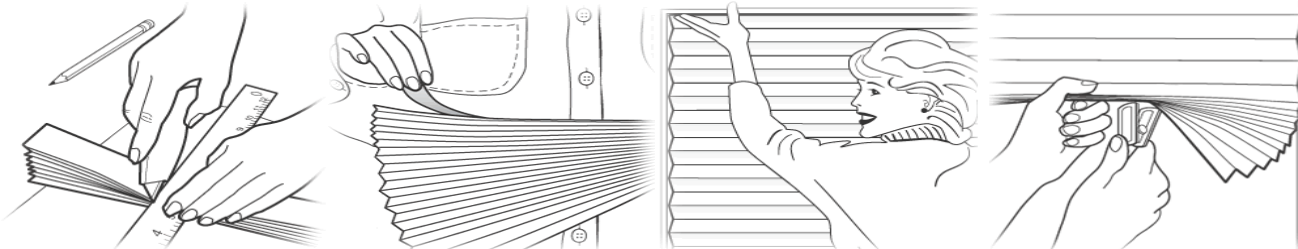
Six Shades Per Box @ \$36.00 / Box
Six Boxes Per Case @ \$216.00 / Case

48" x 72"

Six Shades Per Box @ 39.00 / Box
Six Boxes Per Case @ \$234.00 / Case



Measure the width of your window and if necessary, trim your Redi Shade to that width.



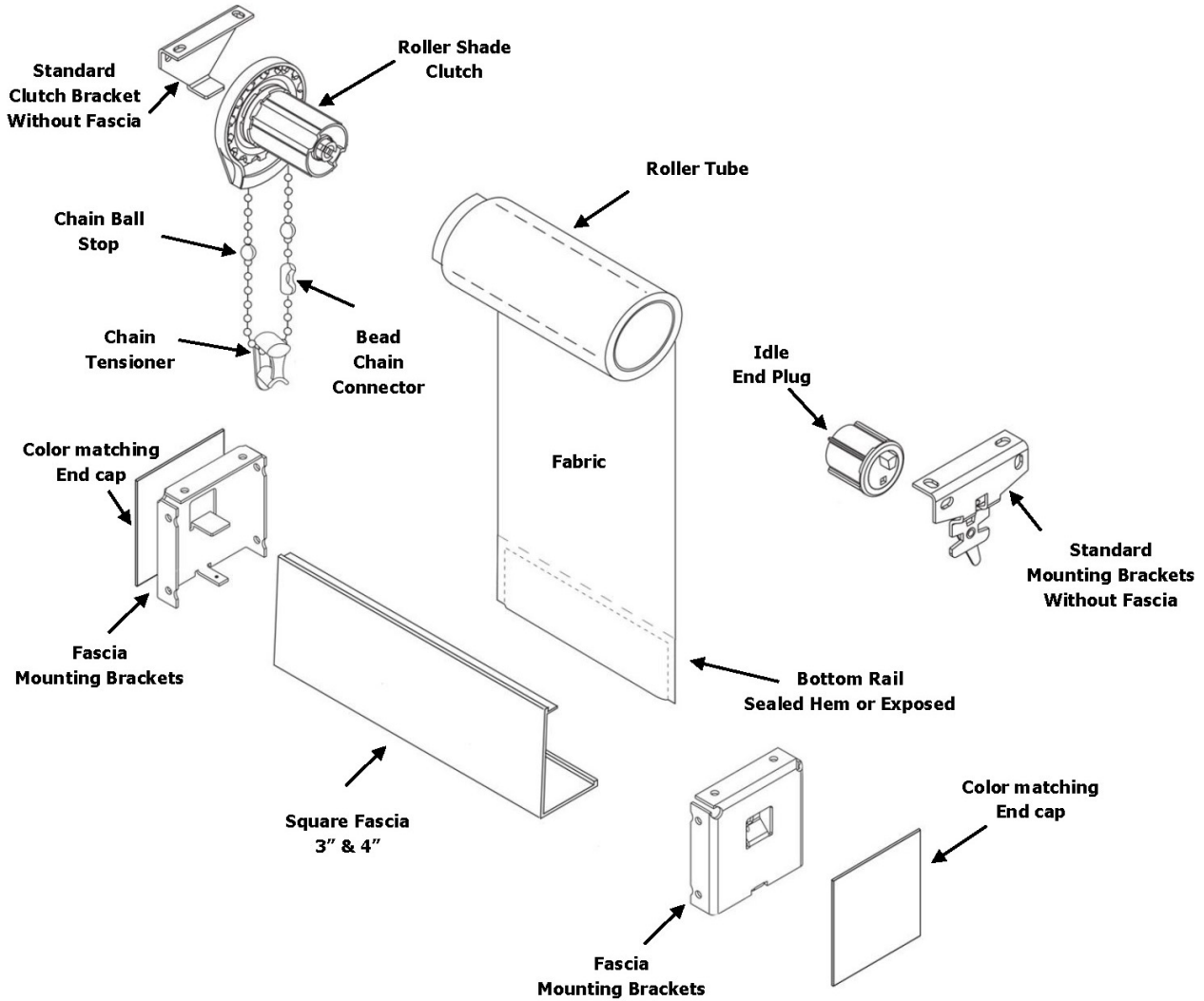
How do I use Redi Shade for my arch shape windows?

- Measure the midpoint of your arch window base, trim shade to that width
- Peel tape backing and as you face your window, stick the shade onto the left side of the window base
- Open the shade fan-style, and using cellophane tape, tape it to the right side of the frame and then tape shade to top center of window frame.

How do I accurately measure my window?

- The width of your window is the most important. Using a measuring tape, simply measure the inside of your window frame. Mark this width on your Redi Shade and trim to fit. If necessary, you may choose to trim the length of your shade with scissors.

ROLLER SHADE



ROLLER SHADE

Features, Specifications and Options

Green 2000 / Green 3000

Fabric Composition: 25% Polyester, 75% Vinyl on Polyester

Sunrise BlackOut

Fabric Composition: 100% Polyester

Standard Features:

- Standard Roll
- Stainless Steel Beaded Chain
- Sealed Hem Bottom Rail or Exposed Metal Bottom Rail
- Exposed Metal Bottom Rail only for Blackout
- Color Coordinated Hardware

Specifications:

- Minimum Width 12" Net
- Minimum Length 12" Net
- Maximum Width 144" Net
- Maximum Length 144" Net

Options:

1. Railroad FabricN/C
2. 3" or 4" FasciaSee Price Chart Colors: White, Alabaster, Silver, Bronze, Black

Finished Dimensions

Factory Allowance +/- 1/8"

INSIDE Mount	Fascia Width	Ordered width minus = 1/8"	
	Roller Shade Width Up to 95.875"		
	Fabric and Bottom Rail Width	Ordered width minus = 1 1/4"	
	Tube Width	Ordered width minus = 1 5/16"	
	Roller Shade Width 96" and Over		
	Fabric and Bottom Rail Width	Ordered width minus = 1"	
	Tube Width	Ordered width minus = 1 1/8"	
	Roller Shade Length 96" and Over		
	Fabric and Bottom Rail Width	Ordered width minus = 1 1/4"	
	Tube Width	Ordered width minus = 1 3/8"	
	OUTSIDE Mount	Fascia Width	Ordered width
		Roller Shade Width Up to 95.875"	
Fabric and Bottom Rail Width		Ordered width minus = 1 1/8"	
Tube Width		Ordered width minus = 1 3/16"	
Roller Shade Width 96" and Over			
Fabric and Bottom Rail Width		Ordered width minus = 7/8"	
Tube Width		Ordered width minus = 1"	
Roller Shade Length 96" and Over			
Fabric and Bottom Rail Width		Ordered width minus = 1 1/8"	
Tube Width		Ordered width minus = 1 1/4"	

Green 3000 / 1%

ROLLER SHADE

White Color on Back Fabric

Openness Factor: Approximately 1%

UV Blockage: Approximately 99%

Color Availability

- Oyster
- Beige
- Grey
- Chestnut
- Charcoal

Length Up to	Width Up To										
	24	36	48	60	72	84	96	108	120	132	144
36	168	209	253	293	343	411	470	524	572	770	842
48	189	237	290	351	411	492	552	622	675	872	948
60	211	268	335	405	478	564	636	712	764	959	1048
72	232	303	383	463	542	633	705	780	851	1053	1149
84	254	339	428	522	599	694	777	860	940	1152	1252
96	275	373	474	573	653	758	845	933	1022	1254	1354
108	301	414	522	617	707	821	915	1015	1108	1345	1456
120	327	448	563	661	759	880	980	1091	1189	1429	1554
132	352	490	600	707	812	941	1053	1171	1277	1515	1658
144	379	522	639	755	869	999	1119	1246	1357	1625	1754

Sizes in Grey area will be made with 2" Tube (Standard Roller or 4" Fascia Only)

Option : 3" or 4" Fascia

Width	24	36	48	60	72	84	96	108	120	132	144
	68	82	98	118	133	148	165	180	205	220	233

Green 3000 / 3%

ROLLER SHADE

White Color on Back Fabric

Openness Factor: Approximately 3%

UV Blockage: Approximately 97%

Color Availability

- White
- Alabaster
- Silver
- Cocoa
- Black

Length Up to	Width Up To										
	24	36	48	60	72	84	96	108	120	132	144
36	144	175	205	237	273	330	377	422	460	638	699
48	159	196	232	277	322	388	442	493	534	712	769
60	176	217	267	321	374	446	501	550	590	773	839
72	190	242	301	365	423	494	547	603	650	837	908
84	207	271	339	408	464	533	595	654	708	898	975
96	224	298	373	443	498	579	641	708	763	961	1043
108	243	326	408	474	539	619	689	759	821	1025	1111
120	264	354	439	508	575	662	734	811	879	1087	1177
132	285	382	468	539	611	704	783	862	936	1152	1246
144	305	410	490	569	646	744	830	914	995	1210	1313

Sizes in Grey area will be made with 2" Tube (Standard Roller or 4" Fascia Only)

Option : 3" or 4" Fascia

Width	24	36	48	60	72	84	96	108	120	132	144
	68	82	98	118	133	148	165	180	205	220	233

Green 2000 / 1%

ROLLER SHADE

SOLID Color on Front & Back Fabric

Openness Factor: Approximately 1%

UV Blockage: Approximately 99%

Color Availability

- Chalk
- Alabaster
- Grey
- Tobacco
- Black

Length Up to	Width Up To										
	24	36	48	60	72	84	96	108	120	132	144
36	168	209	253	293	343	411	470	524	572	770	842
48	189	237	290	351	411	492	552	622	675	872	948
60	211	268	335	405	478	564	636	712	764	959	1048
72	232	303	383	463	542	633	705	780	851	1053	1149
84	254	339	428	522	599	694	777	860	940	1152	1252
96	275	373	474	573	653	758	845	933	1022	1254	1354
108	301	414	522	617	707	821	915	1015	1108	1345	1456
120	327	448	563	661	759	880	980	1091	1189	1429	1554
132	352	490	600	707	812	941	1053	1171	1277	1515	1658
144	379	522	639	755	869	999	1119	1246	1357	1625	1754

Sizes in Grey area will be made with 2" Tube (Standard Roller or 4" Fascia Only)

Option : 3" or 4" Fascia

Width	24	36	48	60	72	84	96	108	120	132	144
	68	82	98	118	133	148	165	180	205	220	233

Green 2000 / 3%

ROLLER SHADE

SOLID Color on Front & Back Fabric

Openness Factor: Approximately 3%

UV Blockage: Approximately 97%

Color Availability

- Chalk
- Alabaster
- Grey
- Tobacco
- Black

Length Up to	Width Up To										
	24	36	48	60	72	84	96	108	120	132	144
36	144	175	205	237	273	330	377	422	460	638	699
48	159	196	232	277	322	388	442	493	534	712	769
60	176	217	267	321	374	446	501	550	590	773	839
72	190	242	301	365	423	494	547	603	650	837	908
84	207	271	339	408	464	533	595	654	708	898	975
96	224	298	373	443	498	579	641	708	763	961	1043
108	243	326	408	474	539	619	689	759	821	1025	1111
120	264	354	439	508	575	662	734	811	879	1087	1177
132	285	382	468	539	611	704	783	862	936	1152	1246
144	305	410	490	569	646	744	830	914	995	1210	1313

Sizes in Grey area will be made with 2" Tube (Standard Roller or 4" Fascia Only)

Option : 3" or 4" Fascia

Width	24	36	48	60	72	84	96	108	120	132	144
	68	82	98	118	133	148	165	180	205	220	233

Blackout

ROLLER SHADE

Backing of material is “WHITE”

Fabric Composition: 100% Polyester

UV Blockage: 100% UV Insulation

Color Availability

- Sunrise White
- Sunrise Black
- Sunrise Dark Grey
- Sunrise Ivory (Special Order)
- Sunrise Barley (Special Order)
- Sunrise Chalk (Special Order)

Length Up to	Width Up To										
	24	36	48	60	72	84	96	108	120	132	144
36	144	175	205	237	273	330	377	422	460	638	699
48	159	196	232	277	322	388	442	493	534	712	769
60	176	217	267	321	374	446	501	550	590	773	839
72	190	242	301	365	423	494	547	603	650	837	908
84	207	271	339	408	464	533	595	654	708	898	975
96	224	298	373	443	498	579	641	708	763	961	1043
108	243	326	408	474	539	619	689				
120	264	354	439	508	575	662	734				
132	285	382	468	539	611	704	783				
144	305	410	490	569	646	744	830				

Sizes in Grey area will be made with 2" Tube (Standard Roller or 4" Fascia Only)

Option : 3" or 4" Fascia

Width	24	36	48	60	72	84	96	108	120	132	144
	68	82	98	118	133	148	165	180	205	220	233



POLICIES & PROCEDURES

NEW ACCOUNTS:

All new accounts will be processed upon receipt of a signed completed account application. All new accounts will be processed as PREPAID CASH ONLY pending approval of credit.

PAST DUE ACCOUNTS:

In some cases, new orders will not be processed until a resolution has been made on the account. You will be notified by the credit department in order to bring the account current. A 1.5% per month (18% per annum) service charge will be assessed on all past due balances. Please refer to your account application and agreement for details.

N.S.F CHECK OR STOPPED PAYMENT:

A \$45.00 fee will be added to the amount of the check. Cashier's check, money order or cash will be required.

ORDERS:

We accept faxed, mail, e-mail to orderentry@royalwindowsinc.com, and online orders. Any change to the order already placed should be faxed or emailed; otherwise, signature is required for confirmation. In the case of an incomplete order, you will be notified by telephone or fax which may cause a delay to your order. In the case of conflicting color and product type, the color number will take precedence over the product type.

CONFIRMATION OF ORDERS:

A printed confirmation of your order will be faxed or e-mailed back to you within 24 hours of receipt of your order (excludes Saturday, Sunday, and Holiday).

DUPLICATED ORDERS:

Royal Windows cannot be responsible for duplicated orders due to same P.O. number, double faxing, or phone-in and faxing order without it marked clearly as a "CONFIRMATION ONLY". To prevent any duplication of orders please provide Royal Windows with a purchase order number and side mark. Our system can detect duplication by your purchase order number, so do not re-use the same number.

CANCELLATIONS:

Orders may be cancelled IF IT IS NOT already in production. If the order has been started, there will be a re-stocking fee charged. Please contact our Customer Service Department for re-stocking fee and cancellation number. You must have a cancellation number as proof that the order has been cancelled. Prepaid orders maybe cancelled if no respond in 10 business days

RETURNS FOR REPAIR:

Please contact our Customer Service Department for Return Authorization Number (RGA). Please have Royal Windows work order or invoice number ready for faster service. All products being returned to Royal Windows must have RGA number clearly identified both inside and outside the wrappings and must include specific details for repair instructions. Products returned without RGA number will not be processed and will be returned to the customer. **It is your responsibility to return products to Royal Windows in good condition. All products returned must be properly wrapped or boxed with care prior to shipping. Royal Windows will not be responsible for any damage, or loss due to shipping. All chargebacks for unauthorized repairs or additional installation cannot be honored.**

REMAKES:

Please contact our Customer Service Department for any remake request. Any charges are determined in part by our policy and will depend on individual product and reason. Any decision to remake will be made solely by Royal Windows. Please contact our customer service department for more details.

RETURN FOR CREDIT:

No credit will be accepted without prior approval from our Customer Service Department. Please contact the Customer Service Department for RGA number and how the product should be returned. All returns for credit are conditional upon final inspection. **All products returned must be properly wrapped or boxed with care prior to shipping.** In the event Royal Windows, upon inspection of the product, determines that it is ineligible for credit, the customer will receive the option to have the product returned at customer's expense or have Royal Windows dispose of the product.

BACK ORDERS:

You will be notified within 24 hours after receipt of your order by the customer service department. You may then re-select a new color or product or wait on the back order. For a product from an external vendor, you will be notified within 24 hours of the time Royal Windows is notified by the external vendor.

COLOR VARIATION BETWEEN DYE LOTS

Please keep in mind that finished products can vary slightly from samples due to wood grain and dye lots. We strongly recommend you to order all of your blinds, shades, or shutters at the same time for the best possible match. Pattern availability and color dye lot match between orders cannot be assured.

SHIPPING / FREIGHT DAMAGE / MISSING SHIPMENT

Please visit www.RoyalWindowsInc.com/warranty_royal_windows.php for the most up-to-date information.

WARRANTY

No Warranty On All Corded Blinds Effective May 15, 2024

IMPORTANT NOTICE REGARDING STANDARD PULL-CORD BLINDS

The U.S. Consumer Product Safety Commission (CPSC) has determined that custom window coverings with accessible operating cords longer than 8 inches pose a reasonable risk of strangulation to children 8 years old and younger. To address this risk of strangulation, the Commission is issuing a final rule under the Consumer Product Safety Act (CPSA) to require that operating cords on custom window coverings meet the same requirements as operating cords on stock window coverings, as set forth in the applicable voluntary standard.

Due to this final rule, we must exclude the warranty period for all corded blinds purchased beginning on May 15, 2024.

"All Custom-Made Corded Window Coverings Will Be Discontinued By May 31st, 2024 Or Before".

TWO Year Warranty

Royal Windows Inc. warrants that our products will be free from defects in materials and workmanship for 2 year as long as the original purchaser owns the product, provided that the product was installed properly in the original window it was intended for and in accordance with the installation instructions. This warranty applies to 2" Custom Cordless Wood, 2" Custom Cordless Fauxwood and 2" Expression Cordless Fauxwood Blinds

One Year Warranty

Royal Windows Inc. warrants that our products will be free from defects in materials and workmanship for 1 year as long as the original purchase owns the product, provided that the product was installed properly in the original window it was intended for and in accordance with the installation instructions. This warranty applies to 2" Budget Cordless Fauxwood Blinds, 2 ½" Budget Cordless Fauxwood Blinds, 2" Stock Cordless Fauxwood Blinds, 1" Stock Cordless Vinyl Plus, 3.5" Stock PVC Vertical Blinds, 3 ½" PVC Express Vertical Blinds, 3.5" Curved PVC Vertical and all the Arches / Eyebrows.

What IS covered:

- Operating mechanisms (including Inner cords and ladders) and components are covered for 1 year from the date of purchase. Minimal fees will apply for repair or replacement parts.
- All internal mechanisms, components and brackets.
- Manufacturing defects and shipping damage must be reported within 7 business days of receipt.

What IS NOT covered:

- All moving parts are not covered by Warranty.
- Normal wear and tear as a result of time and repetitive daily use, including fraying of inner cords and ladders, over tightening of wand tilter and mis-use of cordless module.
- Any loss or damage resulting from accidents, improper use of cleaning chemicals, alterations, misuse, abuse, motorized devices, or failure to follow our instructions with respect to measurement, installation, cleaning or maintenance, exposed to any and all natural excessive heat sources, removal of the product and reinstallation in the same or another window.
- Some slight warpage, as well as natural variations in color and grain effect, are normal with wood and PVC products and are not considered defects. Materials can lose original intensity after long exposure to the sun. When left for extended periods in direct sunlight, plastic and PVC tend to crack and discolor including exposure to the elements including, but not limited to salty air and humidity. Excessive warping of wood or faux wood slats in high humidity areas are not covered under this warranty.
- Products ordered outside of the recommended manufacturing specifications (oversized blinds as shown on product page). All products that are discontinued in the normal course of business are specifically excluded.
- Damage from children, pets or insects.
- Any transportation costs to and from the retailer, cost of removal, re-measure, reinstallation of product or any incidental or consequential damages.
- If product is found to be defective in materials or workmanship, we will, at our discretion, repair, Replace or refund the cost of the product which fails to conform to this Limited Warranty. Colors vary from dye lot to dye lot and may not exactly match the original purchases.

To obtain warranty service

- Contact our customer service department by e-mail customerservice@royalwindowsinc.com
- Customer/Homeowner will be responsible for transporting the product to and from Royal Windows.
- Warranty claims must include details regarding the nature of the problem and proof of purchase such as our invoice number or order number if available.
- No products, parts, components or other materials will be authorized for return or repair without prior approval from Royal Windows. All returned products must be approved by Customer Service. Please contact Customer Service for Return Good Authorization Number (RGA).
- Shipping Damage/Missing Shipments must be reported within 7 days from the date of receipt to obtain warranty service.
- The obligation of Royal Windows is limited to repair or replacement of the product or components found to be defective and excludes shipping charges and labor costs for measuring and installation. Repairs will be made with like or similar parts.

THIS WARRANTY IS EXCLUSIVE AND IN LIEU OF ALL OTHER OBLIGATIONS, LIABILITIES, OR WARRANTIES. In no event shall Royal Windows be liable or responsible for INCIDENTAL OR CONSEQUENTIAL DAMAGES or for any other direct or indirect damage, loss, cost, expense or fee. Some states do not allow the exclusion or limitation of incidental or consequential damages, so this exclusion or limitation may not apply to you. This warranty gives you specific legal rights, and you may also have other rights which vary from state to state.

Royal Windows Inc. reserves the right to make final determination on all warranty claims. Royal Windows Inc. will replace, refund or issue credit as its option.

Royal Windows Roller Shade Warranty

Royal Windows offers a Five Year Limited Warranty on all fabrics, fascia and beaded chain from the date of purchase by the original purchaser as long as the original purchaser owns the product, provided that the product was installed properly and in accordance with the installation instructions.

This warranty does not include any conditions or damages resulting from accidents, alterations, misuse, abuse, misapplication, improper handling, installation, repairs, operation, cleaning, exposure to any and all natural and manufactured excessive heat sources. (Excessive heat sources include, but not limited to; magnification of sun light through cubes of glass, heaters of any kind, ovens, candles, lighting fixtures, etc.) This warranty does not cover variation in fabric color in high humidity areas. Normal wear and tear is not covered.

All moving parts, such as clutches and chain (internal and external), will eventually wear out and fabric may fray. Royal Windows considers these things as normal wear and tear and will carry a Three Year Limited Warranty.

This Warranty does not cover transportation costs to and from the retailer, costs of removal, re-measure, reinstallation of product, or any incidental or consequential damages.

If Royal Windows product is found to be defective in materials or workmanship, we will, at our discretion, repair, replace or refund the cost of a product which fails to conform to this Warranty. Colors vary from lot to lot and may not exactly match sample swatch, or previous purchases. Discontinued components or color selections will be replaced with the closest equivalent current product.

To obtain service, contact the Dealer from whom you purchased the product.

This Warranty is exclusive and in lieu of all other obligations, liabilities or warranties. In no event shall Royal Windows or its licensed fabricators or distributors be liable for incidental or consequential damages, or for any other damage, loss or expense, cost or fee associated with such damage. In some states, exclusions for incidental or consequential damages are not allowable.

Dealers must use safety devices supplied by Royal Windows in accordance with Window Covering Safety Counsel guidelines.

This Warranty gives you specific legal rights, and you may also have other rights, which vary from state to state. Policy is subject to change without notice.