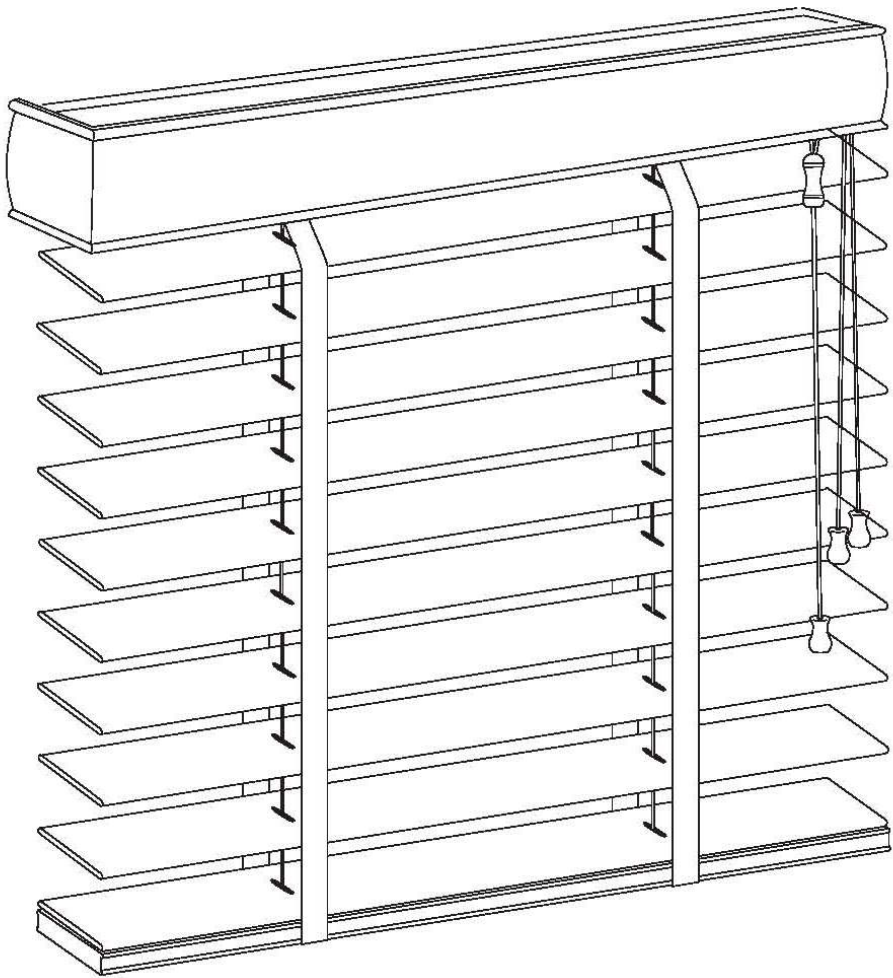


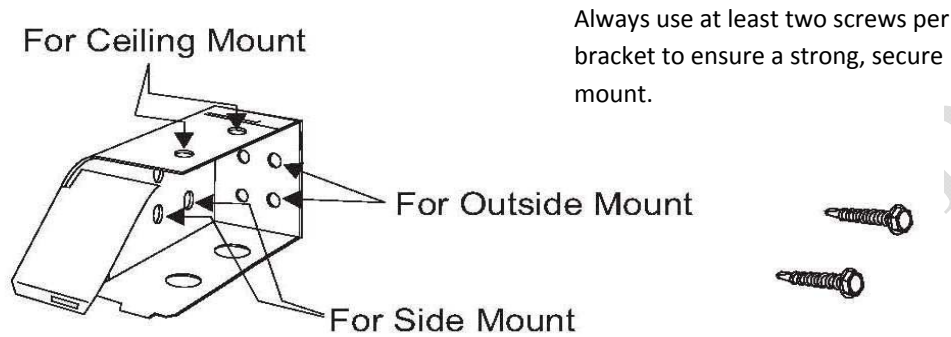
Horizontal Blinds
Installation Instructions



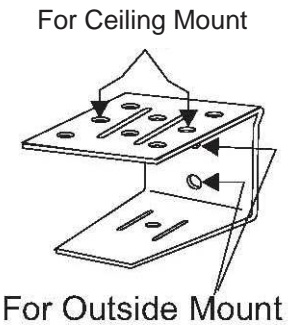
606 Fountain Parkway Grand Prairie TX 75050
Phone: (800) 872-2693 Fax: (800) 422-2693

Hardware Basics

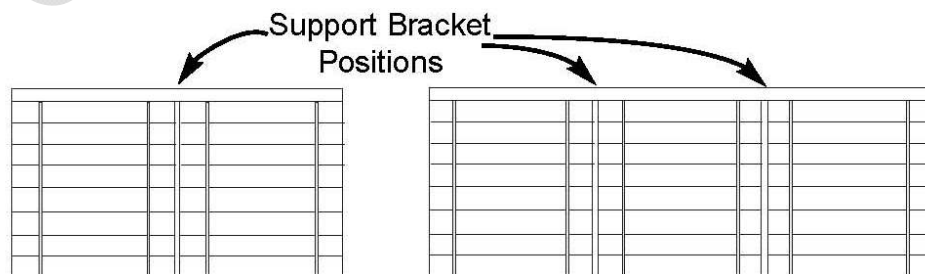
The box style mounting brackets are designed to work in all possible mounting applications. The diagram below indicates which screw holes to use for each option.



All blinds require two end brackets

Blind Width	# of Center Support Brackets	
over 60"	1	 <p>For Ceiling Mount</p> <p>For Outside Mount</p>
over 96"	2	

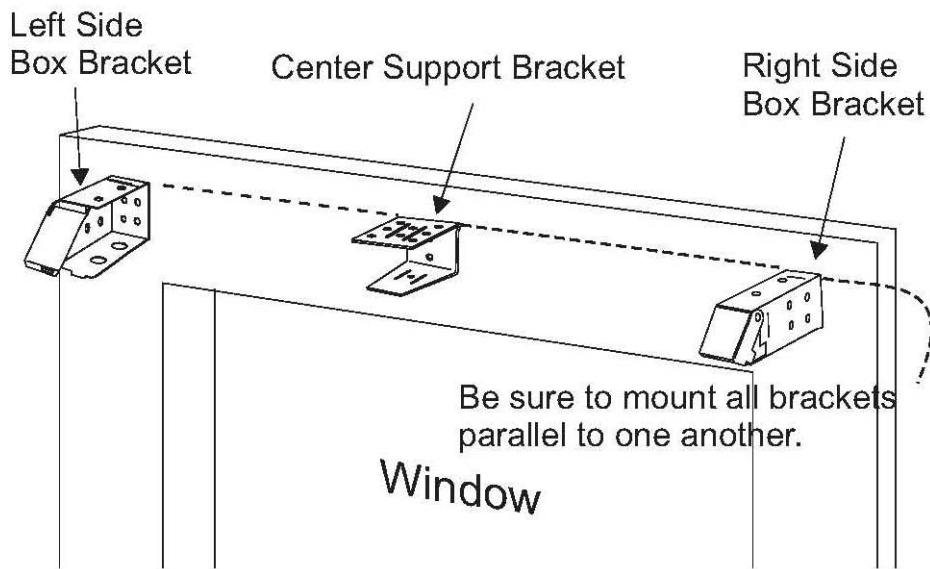
All 2 on 1s receive at least 1 support Bracket. All 3 on 1s receive at least 2 support Brackets. Center support brackets for 2 on 1's and 3 on 1's should be placed between panels. Additional brackets should be used if panel sizes are over 60".



606 Fountain Parkway Grand Prairie TX 75050
 Phone: (800) 872-2693 Fax: (800) 422-2693

Install Brackets

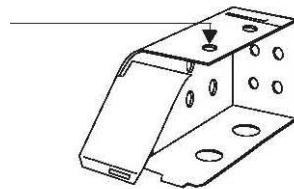
Mount brackets as shown below. Always use all brackets supplied. All blinds 48" or wider (30" if using extension brackets), require the use of center support brackets. Be sure to mount the support bracket(s) in position(s) that will not interfere with the lift mechanisms.



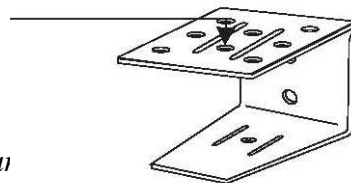
Bracket Installation for Shallow Mount Valance Option

The brackets must be installed so that the front of the headrail is flush with the front of the window opening for the valance to fit properly.

Position the end brackets so that the front screw hole is 1 1/8" from the front of the window opening.



Position center support brackets so that the center front screw hole is 1" from the front of the window opening.



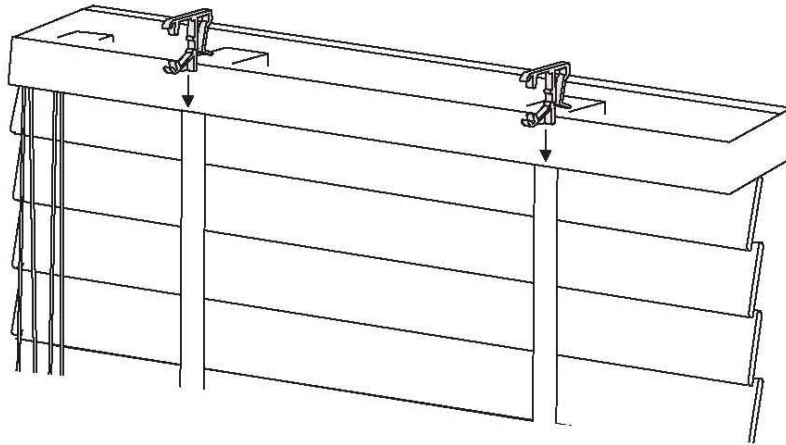
606 Fountain Parkway Gra

Phone: (800) 872-2693 Fax: (505) 422-2073

Install Blind

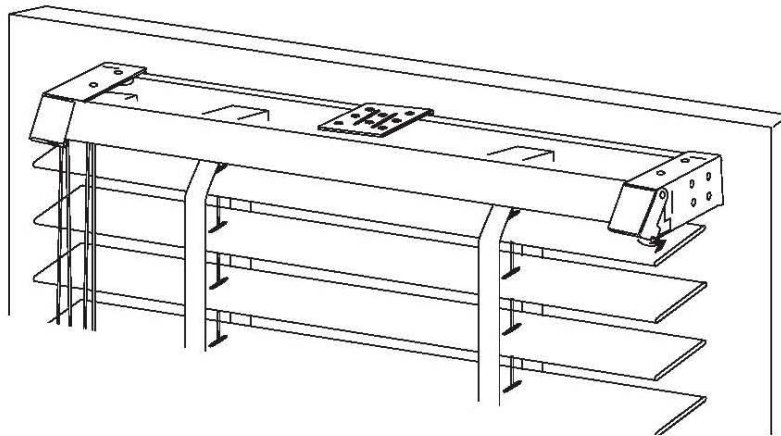
For inside mount or shallow mount valance option, the valance clips must be placed on the headrail before the headrail is placed in the brackets.

Slide a valance clip onto the headrail at each ladder position.



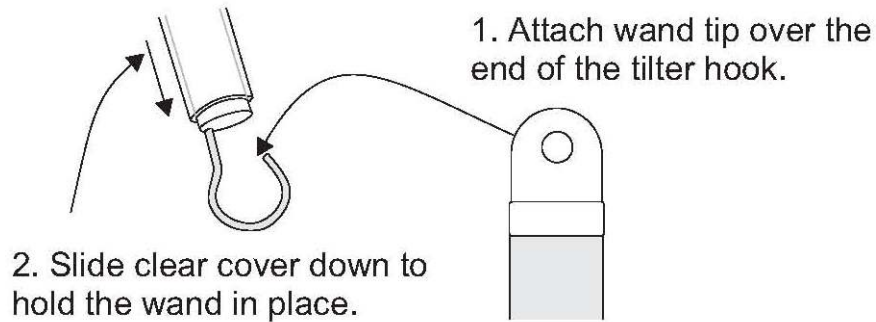
Position the headrail in the box brackets as shown.

Swing the covers down and snap them closed.



606 Fountain Parkway Grand Prairie TX 75050
Phone: (800) 872-2693 Fax: (800) 422-2693

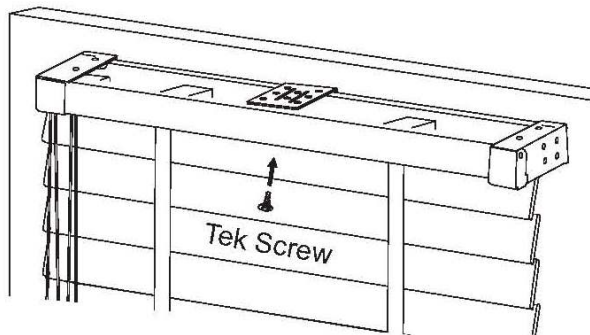
Tilt Wand Attachment



Blinds 60" or Wider, Install Tek Screw

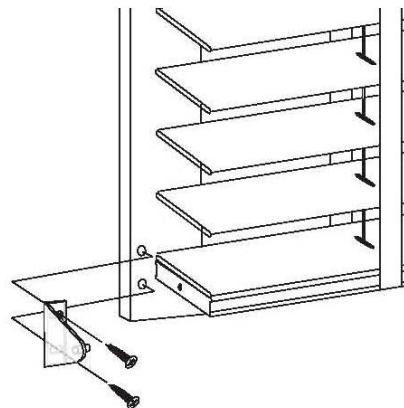
Tilt slats closed and secure headrail to center support bracket with a Tek screw.

Use caution when installing tek screw to avoid damaging the top slat.



Hold Down Brackets (optional)

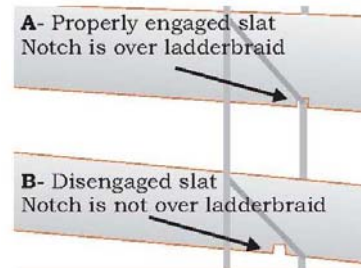
Made of Molded Clear Plastic.
Fits into pre-drilled hole in the bottom rail to secure the bottom rail in Place. (Generally used on door shades.)



Routless Blind Slat Alignment

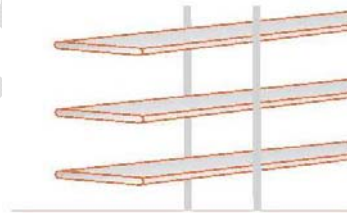
Due to the unique stringing method of Routless Blinds, the slats may become disengaged during shipping, installation, and aggressive use. To ensure proper operation of the Routless/Privacy Plus Blind it is important to check the engagement of the slats on the ladder braid. The notch in the slat should align with the ladder braid.

Slat A is properly engaged while slat B has disengaged. To fix a disengaged slat, simply move the slat by hand until the notch is properly seated on the ladder braid.



Routless Blind Operation

For optimal performance, Routless Blinds should only be raised or lowered when the slats are in the horizontal position.



Care and Cleaning

Periodic dusting with a feather duster or vacuum cleaner brush is all horizontal blinds should ever require. The polymer coating on horizontal blinds resists chipping, cracking, fading and is inherently dust repellent. If necessary blinds can be cleaned with soap and water to remove stains. Slats are fully washable and will not warp if exposed to water or humid conditions.